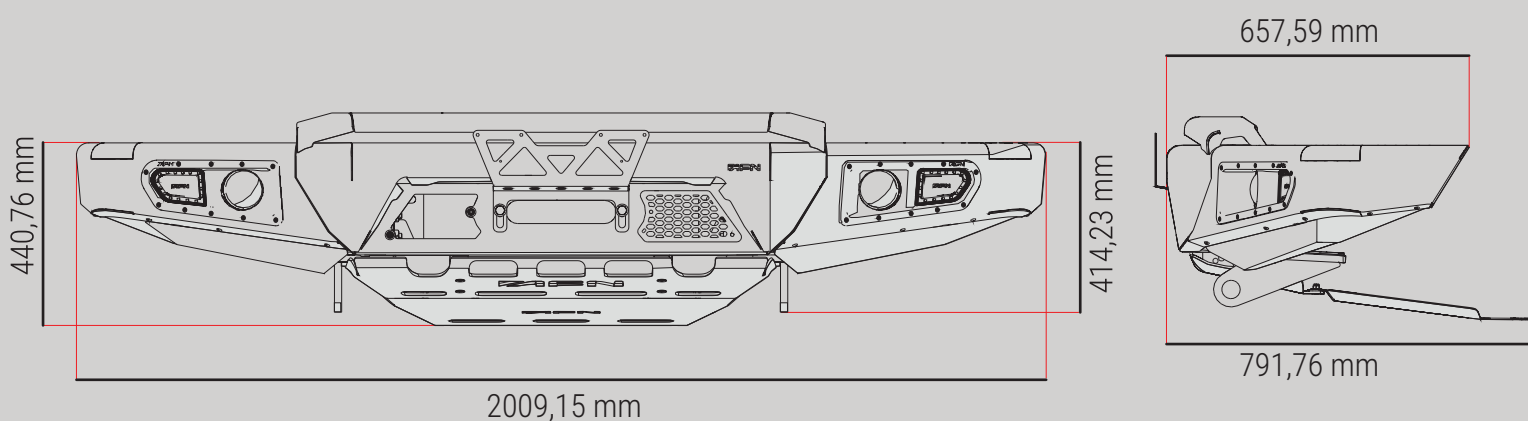


# PRODUCT SPECIFICATIONS

## 48002854 FRONT BUMPER W/ FOG LIGHTS FORD F150



Weight: 76 Kg

### SPECIFICATION FORD F150 FRONT BUMPER

- HOT ROLLED STEEL DD11 EN 10111-2008 ≠ 15 mm
- HOT ROLLED STEEL DD11 EN 10111-2008 ≠ 6 mm
- HOT ROLLED STEEL DD11 EN 10111-2008 ≠ 4 mm
- HOT ROLLED STEEL DD11 EN 10111-2008 ≠ 3 mm
- HOT ROLLED STEEL DD11 EN 10111-2008 ≠ 2,5 mm
- HOT ROLLED STEEL DD11 EN 10111-2008 ≠ 1,5 mm
- ALUMINUM EN Aw 5754 H111 MILL FINISH ≠ 6 mm

Bumper in standard is shot blasted and painted in epoxy powder primer and powder paint NOIR 248 (RNLT 20509).