

# CRAFTED LIKE NO OTHER

DON'T JUST SETTLE  
FOR THE SAME  
OLD BULL

OWNER MANUAL  
TOYOTA  
LAND CRUISER300 2022+

**AFN**<sup>®</sup>  
4 X 4 ACCESSORIES



## WELCOME TO THE AFN FAMILY

This manual contains the **Toyota Land Cruiser 300 +2022** fitting instructions for:  
**Radiator Skid Plate Ref.: 48002871**      **Sump Guard Skid Plate Ref.: 48002872**  
**Gearbox Skid Plate Ref.: 48002873**

# 1 INTRODUCTION



## The Company

Founded in 1995, AFN - 4x4 Accessories dedicates itself to the production and commerce of all-terrain accessories. Its constant concern in its customers total satisfaction, and in the ideals of innovation and transformation have granted a position of notability both in the national and international panorama.

The only company in Portugal in the mass production of 4x4 accessories, relies on specialized and experienced technicians, with the most adequate knowledge, to an efficient response capability to its customers demands.

Thanks to the specialization in the several areas of design and manufacture and to a constant investment in technology, AFN has been broadening its wide range of products, without ever neglecting the quality factor.

## 4x4 Accessories

In its diversity of products we can include, with all-terrain quality, protection, safety and aesthetic accessories.

And it is here that AFN invest on the best technology, the best cut precision of the raw material, and the transformation of products with the quality recognized in the marketplace.

AFN has, at its disposal, resources to test and analyse the resistance of its products and stands in the front row regarding the European homologation of materials dedicated to all terrain.

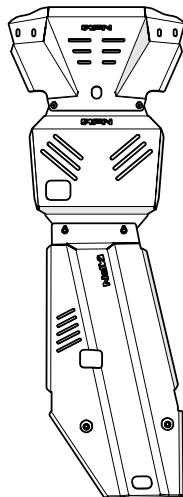
The contact with the most important test laboratories for vehicles, both in England, Spain and Germany, provides AFN with the know-how to manufacture a wide range of quality products.

## Our Design Approach

AFN designs each accessory taking into consideration the original model lines and fitting points. We refuse to have a "one design fits all" solution and we are always looking forward to embrace new challenges on how to adjust a new product into a new model!

The days of just throwing on a bit of steel together to form a protection system are gone. AFN is leading the way modern vehicle protection components are manufactured. Other will follow, and it won't be long where the AFN approach to Styling, Fit, Form and Function will become the benchmark for all other manufacturers.





**AFN 4x4 Accessories**

Product: **Radiator Skid Plate**

Part Ref.: **48002871**

Product: **Sump Guard Skid Plate**

Part Ref.: **48002872**

Product: **Gearbox Skid Plate**

Part Ref.: **48002873**

**Introduction** 2

**1 Checklist** 4

Product 48002871

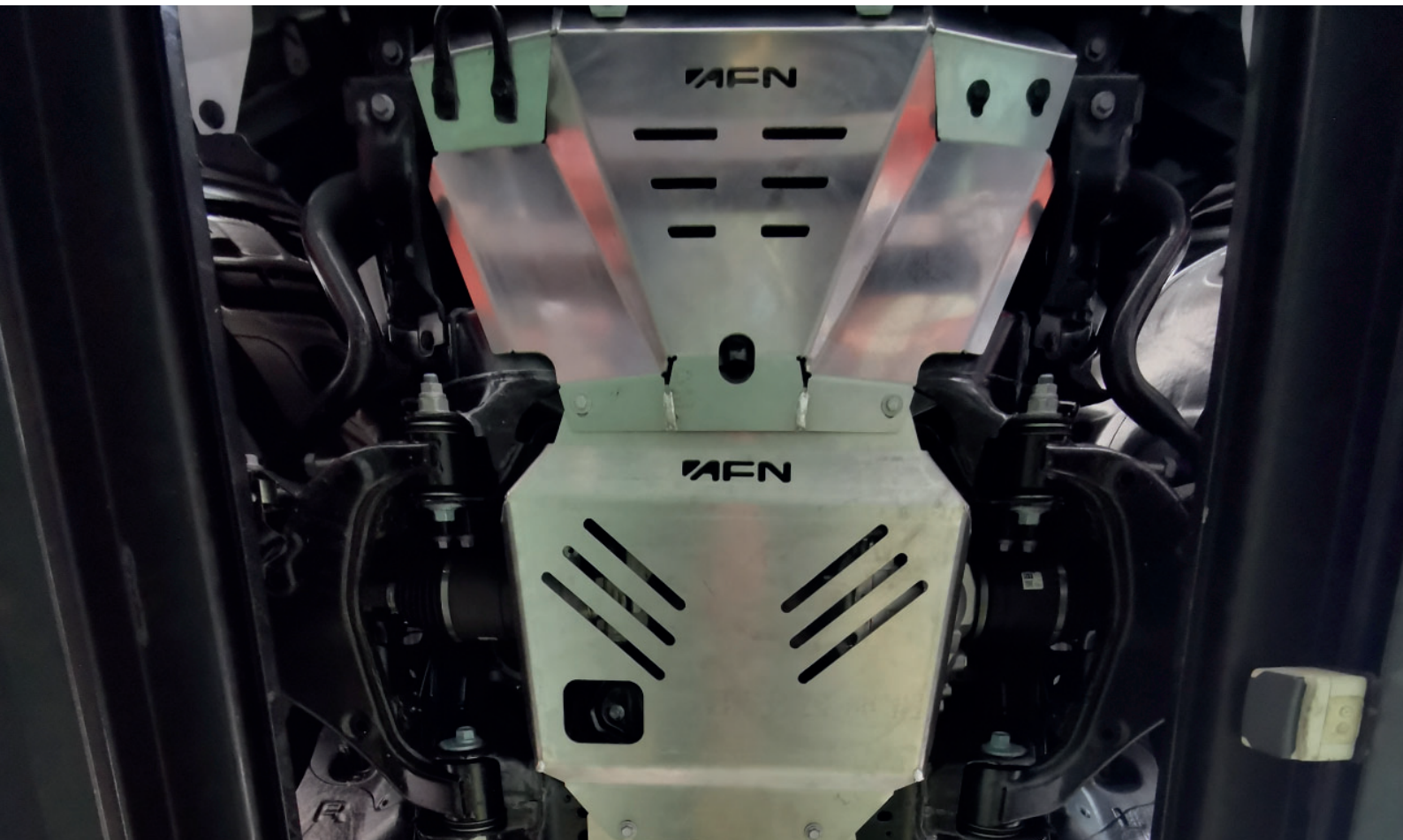
Product 48002872

Product 48002873

**2 Fitting Instructions** 6

**3 LC300 Catalogue** 15

**4 Warranty Terms** 16



# 1 CHECKLIST

- In this section you have a checklist with all parts included for the installation of your AFN product
- This product should be installed as demonstrated in the product fitting instructions
- If verified that any component is damaged, please contact your nearest AFN distributor
- The specified parts will only fit in the models specified by AFN
- Do not modify any component of the product

This checklist is for product **48002871**, **48002872** and **48002873**.

## 48002871

NUMBER	DESCRIPTION	REFERENCE	QTY
1	Radiator Skid Plate - Toyota LC300 2022	46011489	1x
2	Bolt M8x30	45001520	2x
3	Washer M8	45001267	2x

## 48002872

NUMBER	DESCRIPTION	REFERENCE	QTY
2	Bolt M8x30	45001520	4x
3	Washer M8	45001267	4x
4	Sump Guard Skid Plate - Toyota LC300 2022	46011490	1x

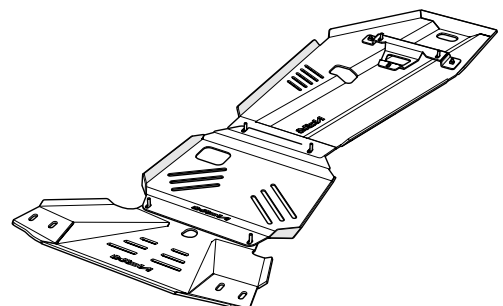
## 48002873

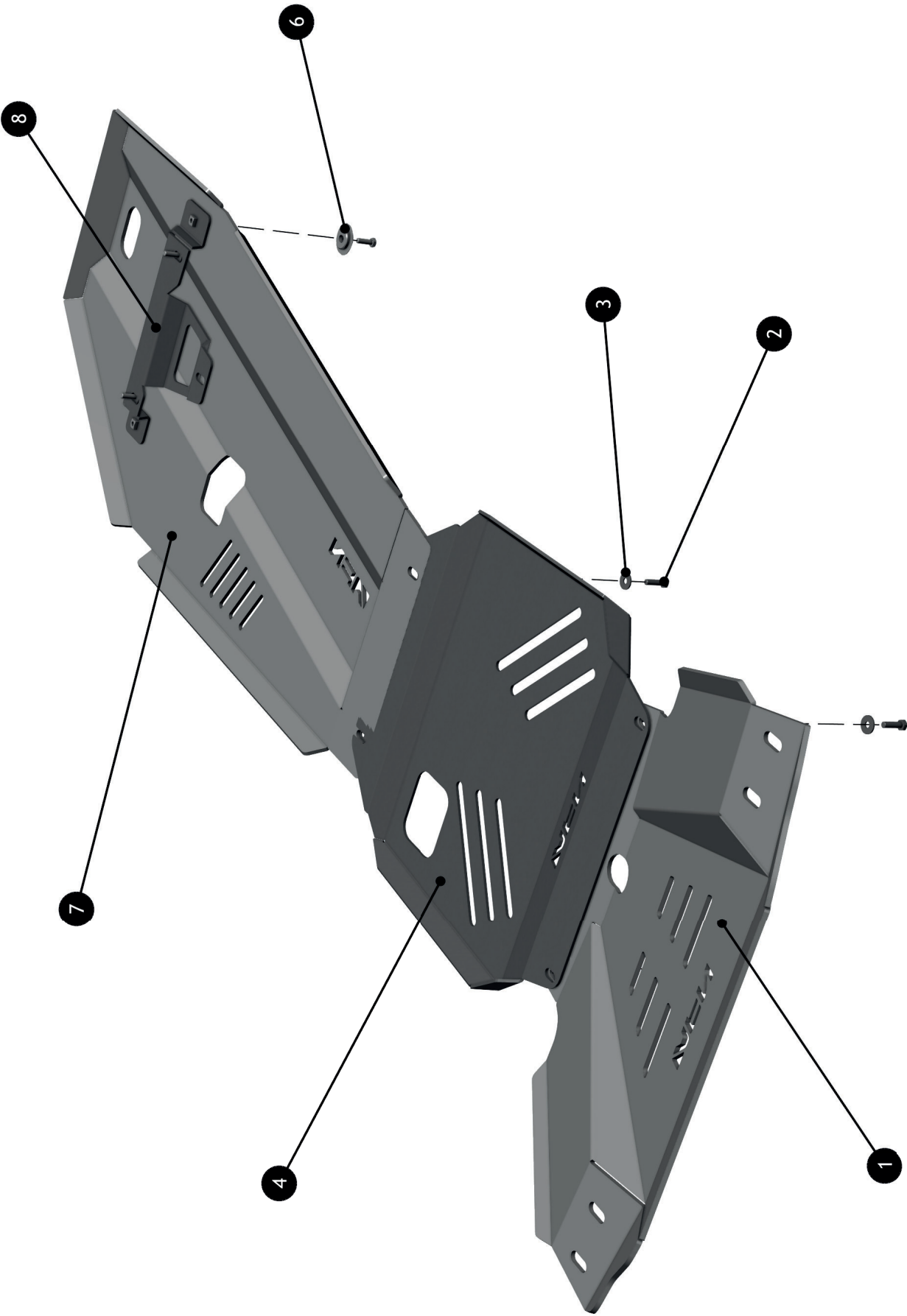
NUMBER	DESCRIPTION	REFERENCE	QTY
2	Bolt M8x30	45001520	4x
3	Washer M8	45001267	4x
5	Bolt M8x25	45001537	4x
6	Aluminium	46010187	2x
7	Gearbox Skid Plate - Toyota LC300 2022	46011491	1x
8	Gearbox Bracket	47002813	1x

Please note that the quantities of **bolts and washers supplied are always the same, we don't take into consideration if you buy the all kit of Underbody Protections**. If this occurs, you'll have some **extra bolts and washers**.

**Engine Number: F33A-FTV**

All the Underbody Protections were developed taking into consideration this **Engine Number**.





## 2 FITTING INSTRUCTIONS

### WARNING:

Before you begin installation, read all instructions thoroughly.  
Proper tools will improve the quality of installation and reduce the time required.

- This product should be installed as demonstrated in the *Product «Fitting Instructions»*;
- The specified parts, will only fit the models specified by **AFN**;
- Do not modify any component of the product;
- It is recommended that this product is installed by specialized and trained personnel;
- AFN doesn't take responsibility for changes made in the vehicle by its manufacturer;
- Work safely and use specialized tools at all times;
- **Always use protective gear.**

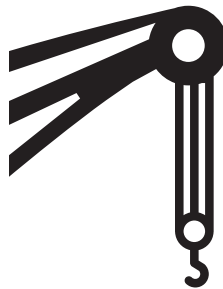
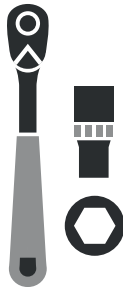


Size	Torque Nm	Torque lbft
M6	9 Nm	7 lbft
M8	22 Nm	16 lbft
M10	44 Nm	32 lbft
M12	77 Nm	57 lbft

### Mouting Time

- 2 hours
- 2 persons (recommended)

### Tools Required



- Wrench
- Wire cutter
- Ratchet wrench
- Crane

## Step 0

Start by placing the vehicle in a lift, so it's easier to remove the **OEM\* Underbody Protections** and the new **AFN Underbody Protections**.



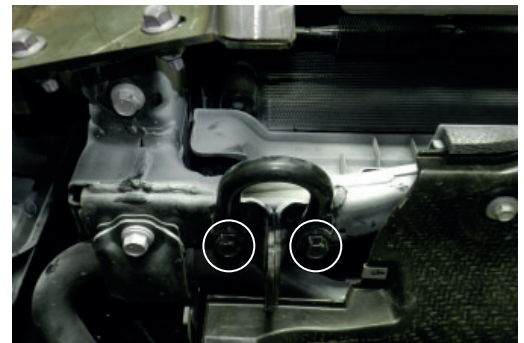
## Step 1

Start by removing the **OEM\* Underbody Protection** from the vehicle.

4x **OEM\*** bolts.

Also remove both **OEM\* Recovery Points**.

2x **OEM\*** bolts on each.

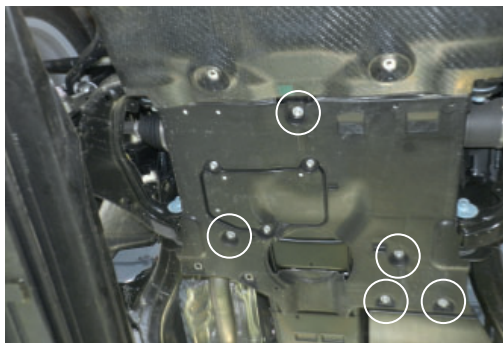


## Step 2

Then, remove the next **OEM\* Underbody Protection** from the vehicle.

7x **OEM\*** bolts.

Check the circles to see where the bolts are.

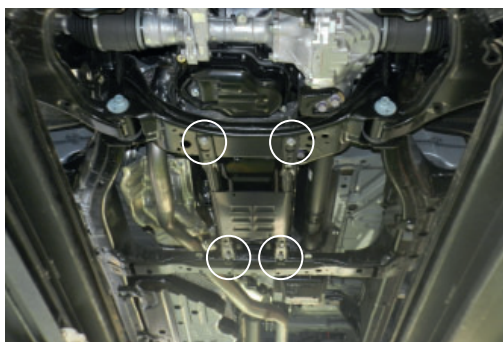


## Step 3

Finally, remove the **OEM\* Bracket** from the vehicle.

4x **OEM\*** bolts.

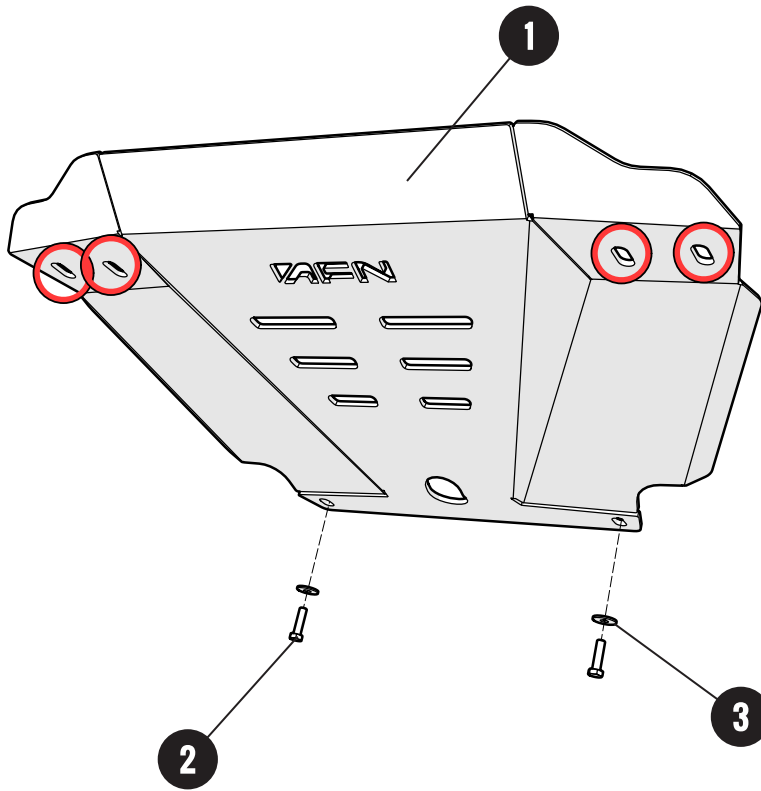
Check the circles to see where the bolts are.



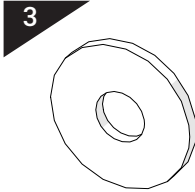
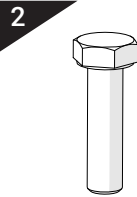
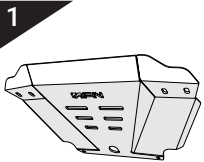
\*OEM - Original Equipment Manufacturer

**Step 4 - Fitting the AFN Radiator Skid Plate in the Vehicle**

Preview



**Parts needed:**



x1 Radiator Skid Plate  
Toyota LC300 2022

x2 Bolt M8x30

x2 Washer M8



**Step 4 - Fitting the AFN Radiator Skid Plate in the Vehicle**

**Installation**

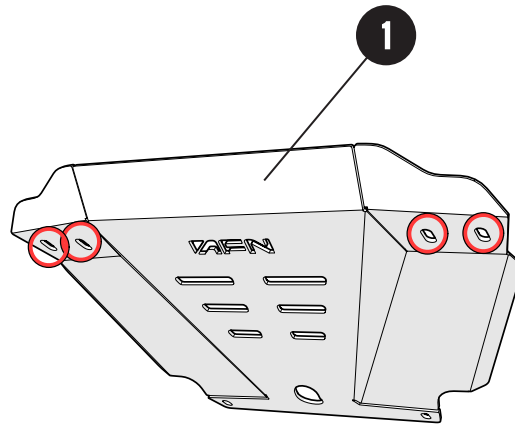
**ATTENTION!**

Fit the **AFN Radiator Skid Plate(1)** in the vehicle.

Use 4x *OEM\** Bolts, the same of the previously removed from the *OEM\** Recovery Point.

Just finger tight all bolts

**Do Not tighten yet.**



Then, fit the lower part of the **AFN Radiator Skid Plate(1)** in the vehicle.

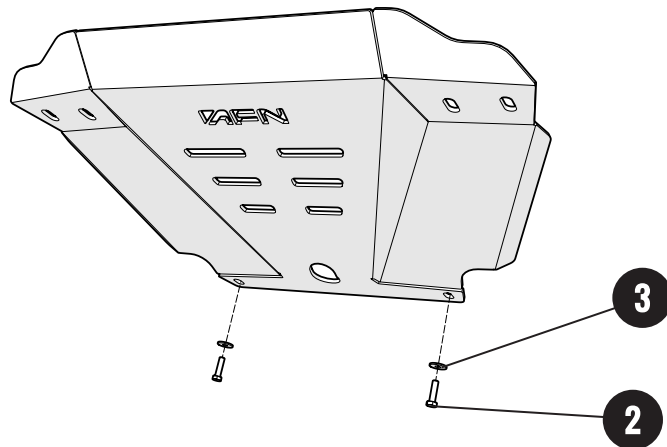
Use 2x Bolts **M8x30(2)** with 2x Washers **M8(3)**.

**ATTENTION!**

If you have the **AFN Sump Guard Skid Plate(1)** to be fitted in the vehicle proceed to the next step.

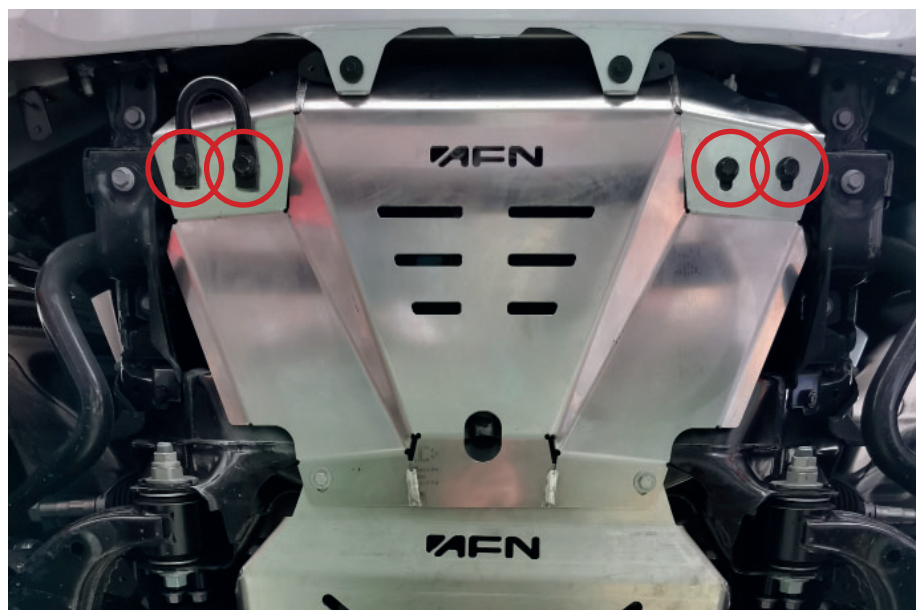
Just finger tight all bolts

**Do Not tighten yet.**



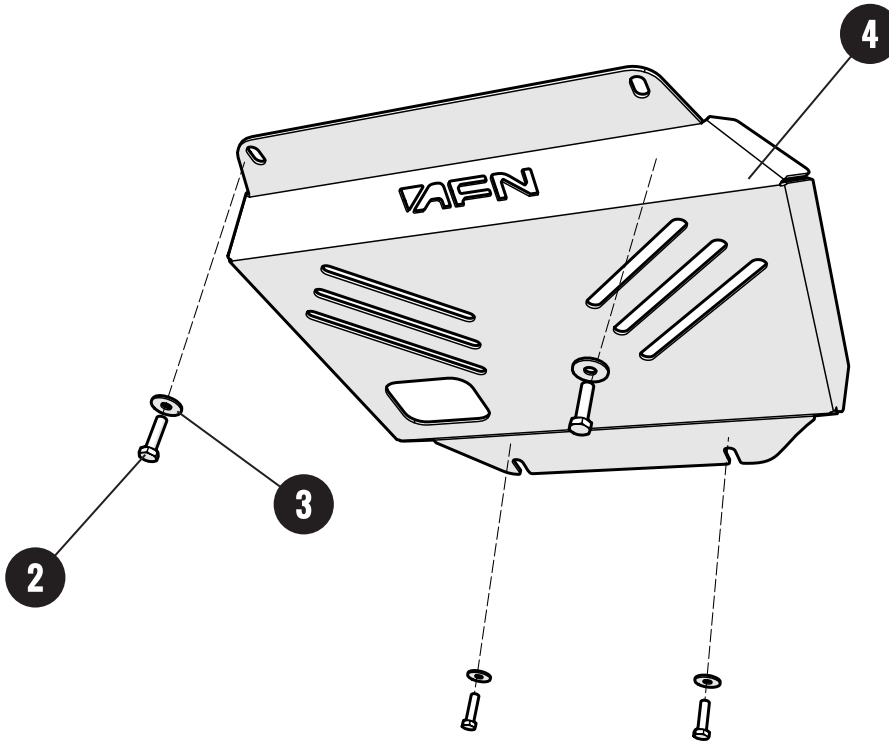
Check the image on the right, that shows the *OEM\** Recovery Points fitted.

If you have done it correctly, this is what it should look like.

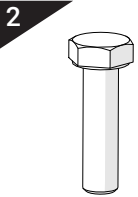


**Step 5 - Fitting the AFN Sump Guard Skid Plate in the Vehicle**

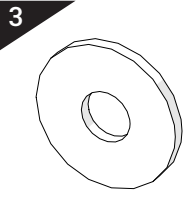
**Preview**



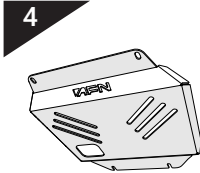
**Parts needed:**



**x4 Bolt M8x30**



**x4 Washer M8**



**x1 Sump Guard Skid Plate  
Toyota LC300 2022**

**Step 5 - Fitting the AFN Sump Guard Skid Plate in the Vehicle**

**Installation**

**ATTENTION!**

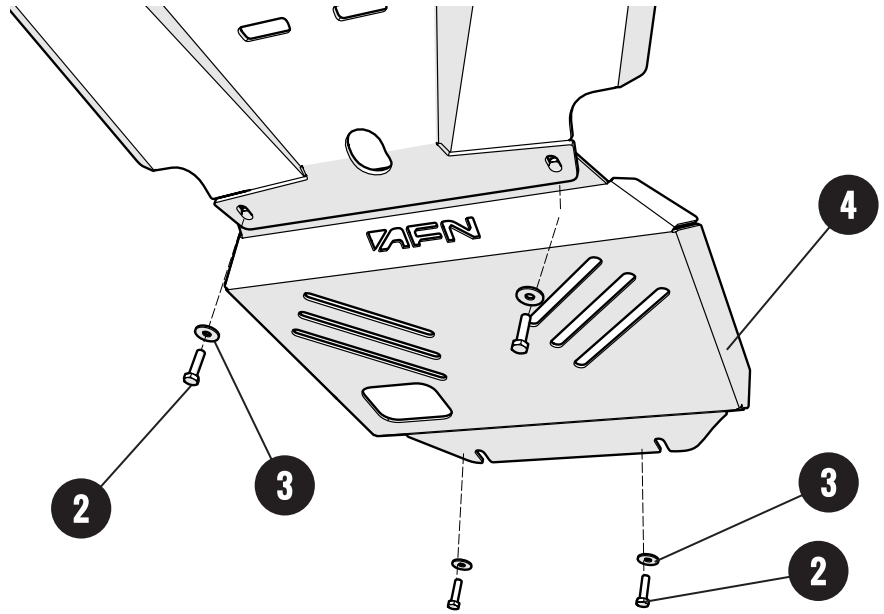
Please note that if you have the AFN Radiator Skid Plate - 48002871 fitted, there are some bolts that will not be used, because they are the same.

Fit the **AFN Sump Guard Skid Plate(4)** into the **Vehicle**, above the **AFN Radiator Skid Plate(1)**.

Use 2x Bolts **M8x30(2)** and 2x Washers **M8(3)**.

Just finger tight all bolts

**Do Not tighten yet.**

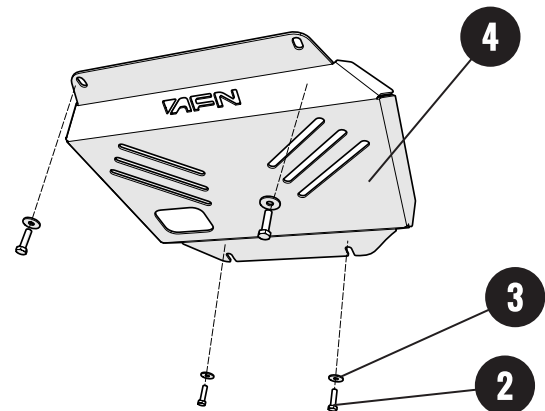


**ATTENTION!**

If you have the **AFN Gearbox Skid Plate(7)** to be fitted in the vehicle proceed to the next step.

Just finger tight all bolts

**Do Not tighten yet.**

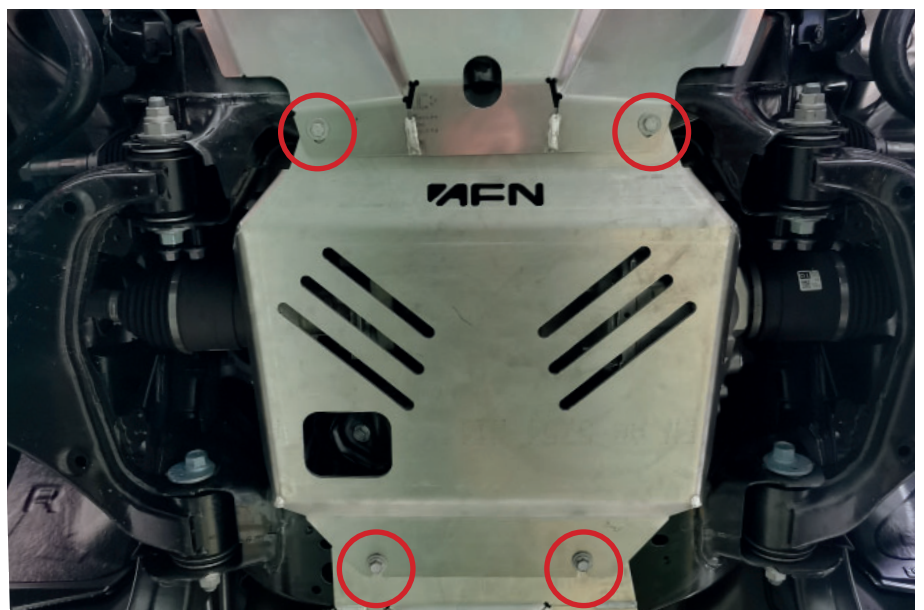


Then, use 2x Bolts **M8x30(2)** with 2x Washers **M8(3)**.

If you have done it correctly, this is what it should look like.

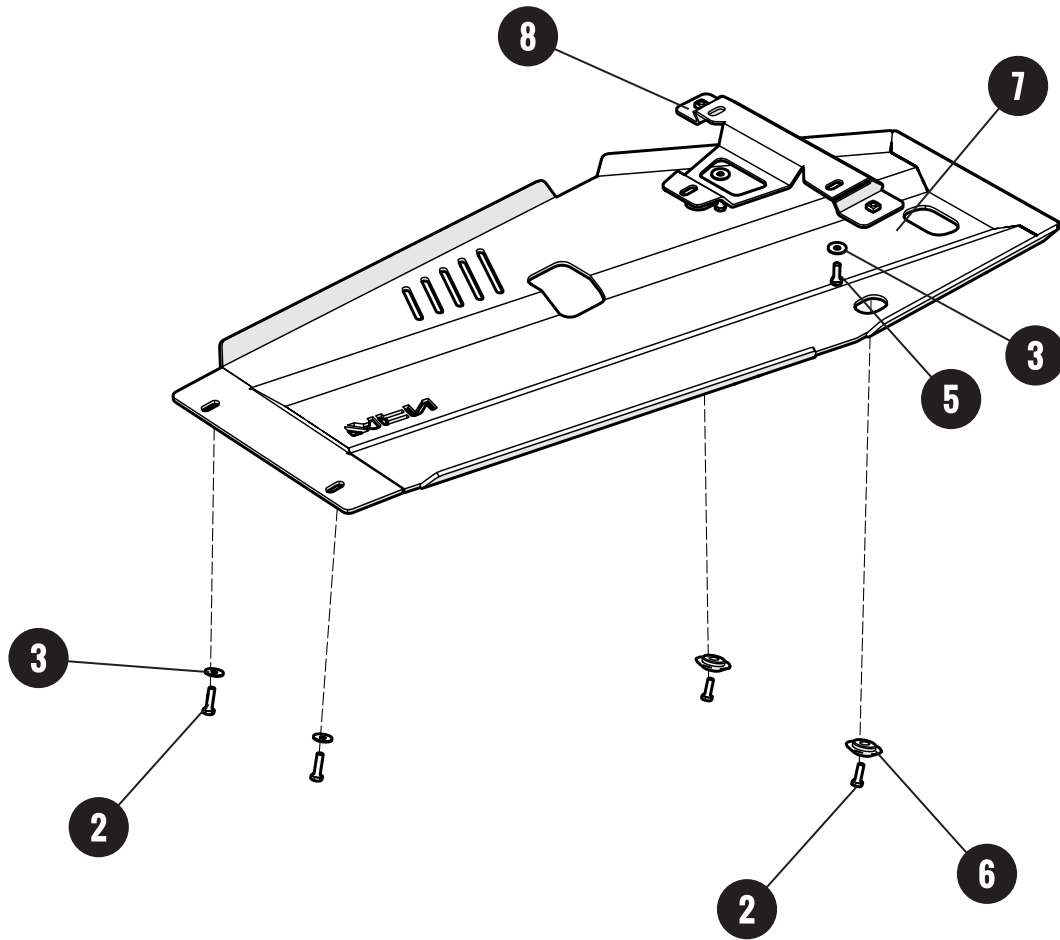
Once everything is correctly fitted,

**Give the final torque.**

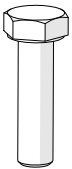
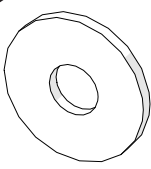
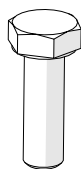
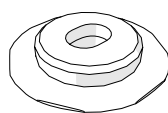
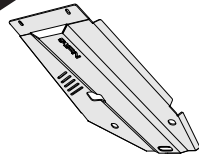
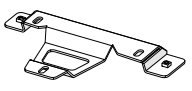


**Step 6 - Fitting the AFN Gearbox Skid Plate in the Vehicle**

Preview



**Parts needed:**

- |   |   |   |   |   |   |
|---|---|---|---|---|---|
|  <p><b>2</b></p> |  <p><b>3</b></p> |  <p><b>5</b></p> |  <p><b>6</b></p> |  <p><b>7</b></p> |  <p><b>8</b></p> |
| x4 Bolt M8x30   | x4 Washer M8  | x4 Bolt M8x25   | x2 Aluminum Sleeve M8   | x1 Gearbox Skid Plate<br>Toyota LC300 2022  | x1 Gearbox Bracket  |

**Step 6 - Fitting the AFN Gearbox Skid Plate in the Vehicle**

**Installation**

**ATTENTION!**

Please note that if you have the AFN Gearbox Skid Plate - 48002872 fitted, there are some bolts that will not be used, because they are the same.

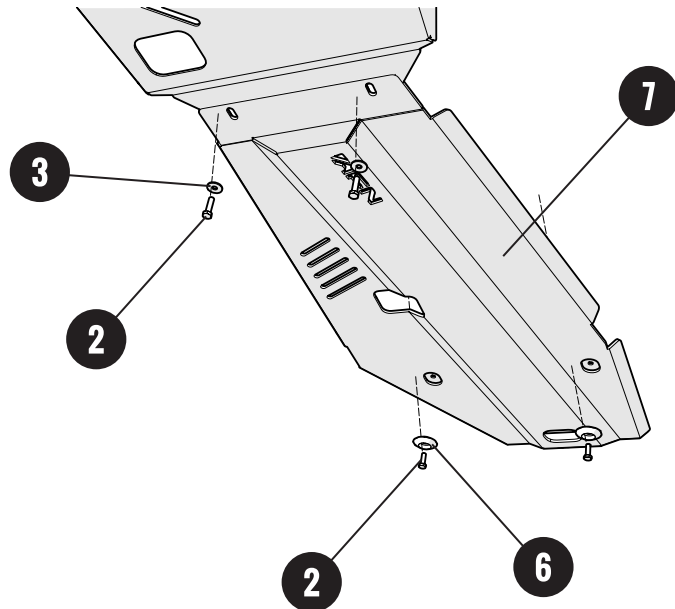
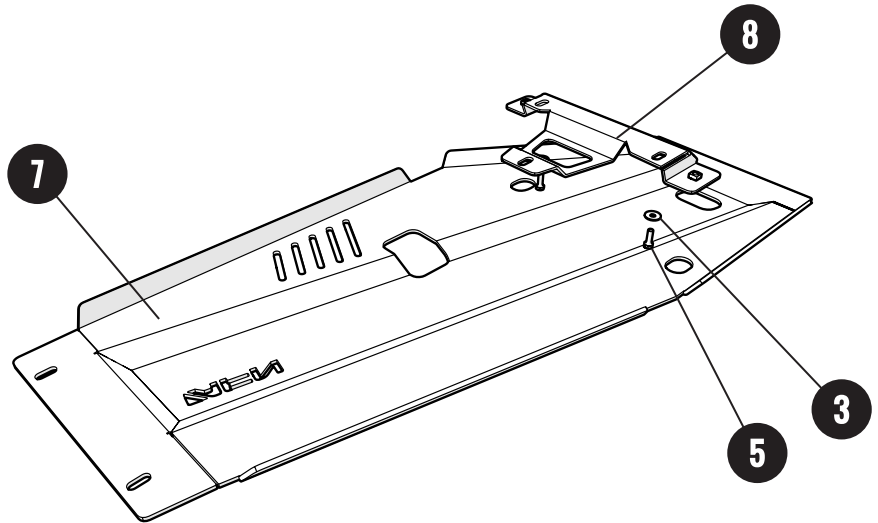
Take on both Gearbox Bracket(8) and Gearbox Skid Plate(7) and fit them together.

Use 2x Bolts **M8x25(5)** and 2x Washers **M8(3)**.

Once everything is correctly fitted, **Give the final torque.**

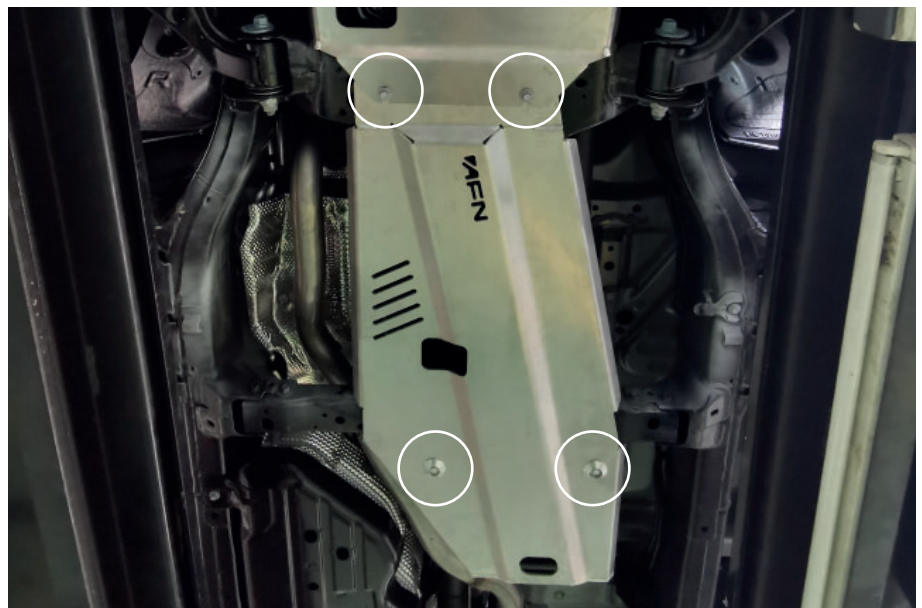
Once that is done, with help of another person or a crane, fit the **Gearbox Skid Plate(7)** in the vehicle above the **AFN Sump Guard Skid Plate(4)**.

Use 2x Bolts **M8x30(2)** with 2x Washers **M8(3)** and 2x Bolts **M8x30(2)** with 2x Aluminum Sleeves **M8(6)**, as showed in the image.



If you have done it correctly, this is what it should look like.

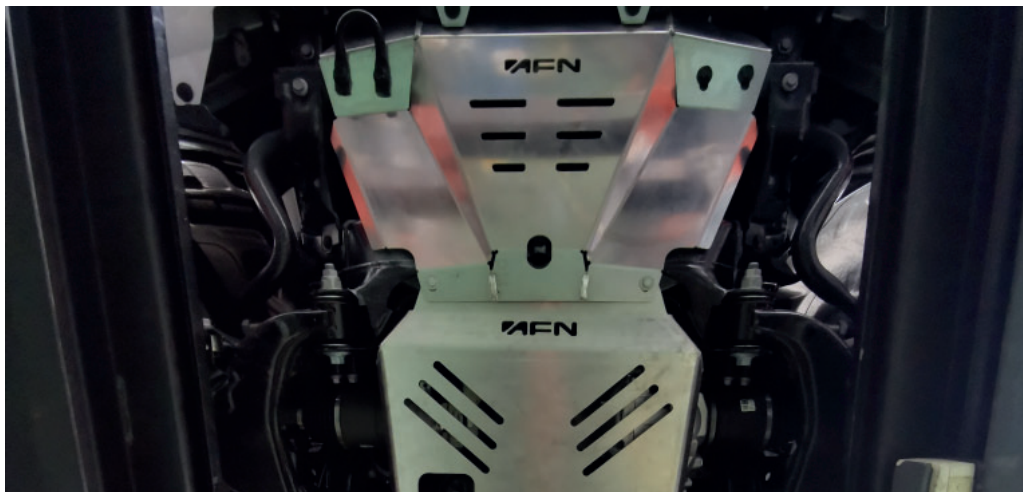
Once everything is correctly fitted, **Give the final torque.**



## Step 7 - Final Result

Your new **AFN UNDERBODY PROTECTIONS** are now installed on your **Toyota Land Cruiser 300!**

Have Fun!



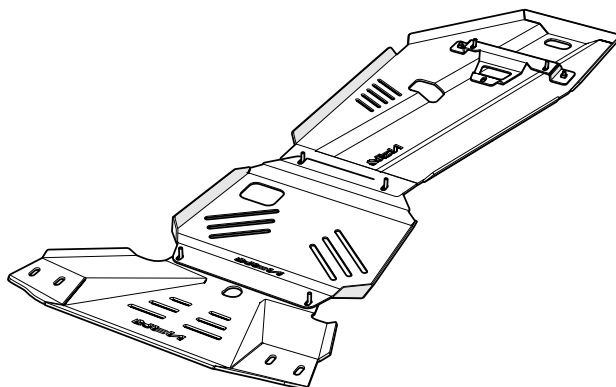
## Reminder !

Before operating a vehicle fitted with an **AFN Underbody Protections**:

- Make sure all fittings are tightened

## Maintenance | Care

Periodically check and tighten all nuts. Stripped, fractured or bent bolts or nuts need to be replaced.





## 3 LC300 CATALOGUE

**AFN 4x4 Accessories** is becoming a well known brand for its products due to its quality, design and safety which are challenged for thousands of people everyday, worldwide.

In its diversity of products we can include, with all-terrain quality, protection, safety and aesthetic accessories. With that being said, **AFN 4x4** has some other accessories that every offroad passionate would like to have, such as **Body Protections, Underbody Protections, Light Holders, Storage** (Wheel Supports and Jerry-can carriers) and others related to the **Aesthetics**.

We have some 4x4 accessories that combine with the original model lines that if you take a closer look you will see that they don't appear to be an accessorie, but a must-have.

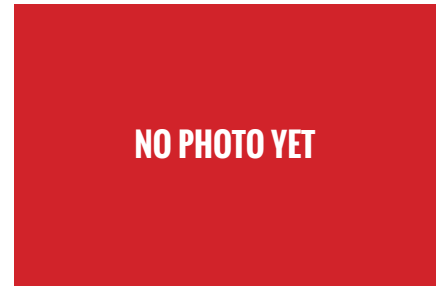
Please be in mind that some accessories are available only to some models.  
 Feel free to check all the products that may interest you in our website at: [www.afn.pt](http://www.afn.pt)



Ref.: 4800XXXX - Bull Bar w/ Fog Lights



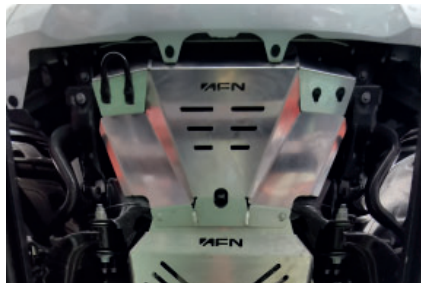
Ref.: 4800XXXX - Bumper w/ Fog Lights



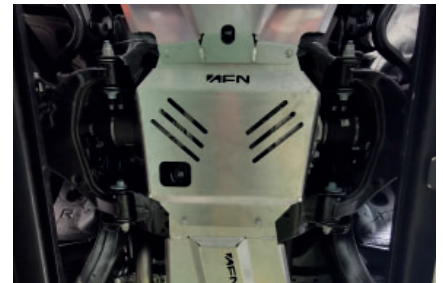
Ref.: 4800XXXX - Rear Bumper w/ trailer Hitch



Ref.: 48002866 - Rear Bumper w/ Wheelcarrier and Jerrycan-holder



Ref.: 48002871 - Radiator Skid Plate



Ref.: 48002872 - Sump Guard Skid Plate



Ref.: 48002873 - Gearbox Skid Plate



Ref.: 4800XXXX - Side Steps



Ref.: 4800XXXX - Nerf Bars

## 4 WARRANTY TERMS

**AFN4x4** products are warranted free from defects in materials and workmanship for a period of two (2) years from the date of initial retail purchase. Third-party components are delivered under the original manufacturer warranty.

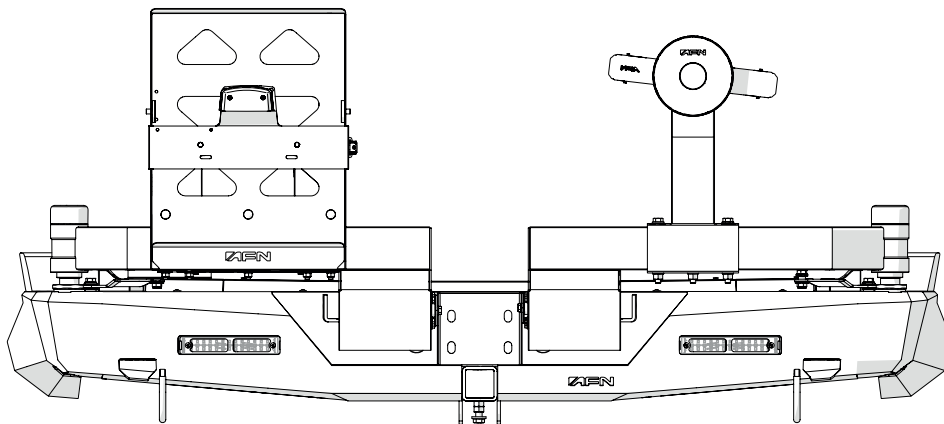
Under the present warranty, **AFN4x4** obligation shall be limited to repairing, replacing or crediting, at its option, any part found to be defective.

**AFN4x4** does not warrant or make any representations concerning its goods when:

- The products are purchased used, scratch and dent or when the box was opened.
- The products are not installed, used, and maintained strictly in accordance with **AFN4x4**'s instructions.
- The products are installed in vehicles that are used in competition.
- The products are installed in vehicles fitted with aftermarket non-standard tires with diameters in excess of OEM\* specifications.
- The products are installed in vehicles with engines that have been modified to increase performance.

**AFN4x4** will not be responsible for goods damaged in transit. If any goods arrive damaged, please contact the **AFN4x4** as soon as possible. **AFN4x4** will assess and may arrange to have the damaged goods returned to a **AFN4x4** Distributor and arrange for a replacement of the goods. Damaged goods must be returned in the condition received by you with all original packaging, accessories and/or manuals. If they are not returned in same condition sent there may be an additional fee charged.

To file a claim under this warranty please contact **AFN4x4** at +351 256 808 300 or via email at [geral@afn.pt](mailto:geral@afn.pt) to request a *Returned Goods Authorization (RGA)* number and instructions for returning the defective component.







DON'T JUST SETTLE FOR THE SAME OLD BULL

**AFN**<sup>®</sup>  
4 X 4 ACCESSORIES

[WWW.AFN4X4.COM](http://WWW.AFN4X4.COM) | [SALES@AFN.PT](mailto:SALES@AFN.PT) | [FACEBOOK.COM/AFN4X4](https://FACEBOOK.COM/AFN4X4)

# WELCOME TO THE AFN FAMILY



União Europeia

Fundo Europeu de  
Desenvolvimento Regional

**AFN**<sup>®</sup>  
4 x 4 ACCESSORIES