

FITTING INSTRUCTIONS

WARNING:

Before you begin installation, read all instructions thoroughly.
Proper tools will improve the quality of installation and reduce the time required.

- This product should be installed as demonstrated in the *Product «Fitting Instructions»*;
- The specified parts, will only fit the models specified by **AFN**;
- Do not modify any component of the product;
- It is recommended that this product is installed by specialized and trained personnel;
- AFN doesn't take responsibility for changes made in the vehicle by its manufacturer;
- Work safely and use specialized tools at all times;
- **Always use protective gear.**

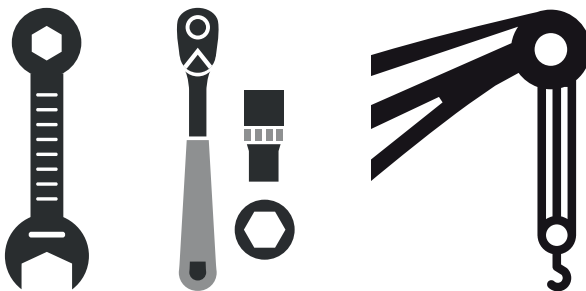


Size	Torque Nm	Torque lbft
M6	9 Nm	7 lbft
M8	22 Nm	16 lbft
M10	44 Nm	32 lbft
M12	77 Nm	57 lbft

Mouting Time

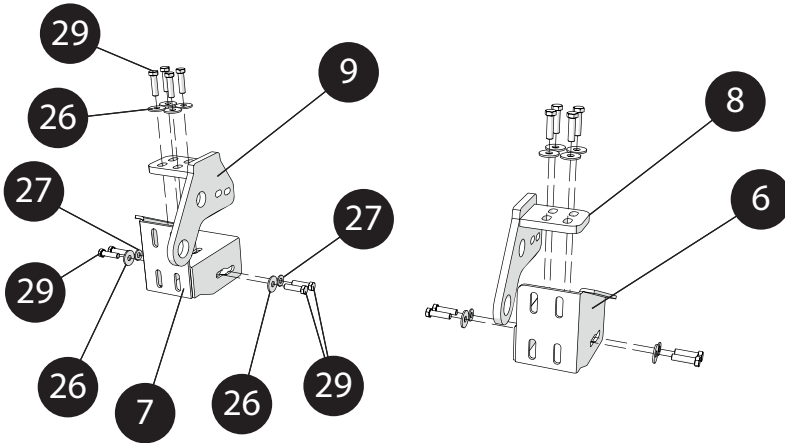
- 2 hours
- 2 persons (recommended)

Tools Required



- Wrench
- Ratchet wrench
- Crane

STEP1 - FITTING BUMPER REINFORCEMENTS AND RECOVERY POINTS



NUMBER	REF	QUANTITY
6	47002515	1x
7	47002516	1x
8	47002517	1x
9	47002518	1x
26	45001250	24x
27	45001253	8x
29	45001511	16x
31	45001558	16x

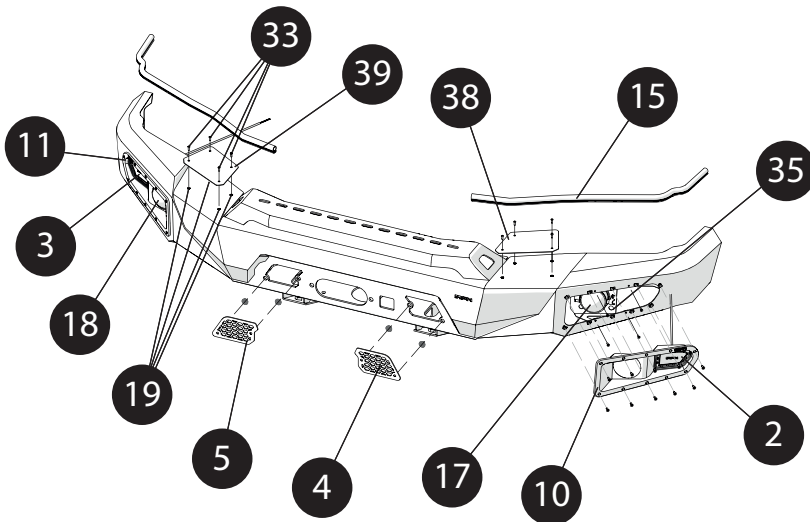
Start by fitting both Reinforcements(6)(7) in the vehicle. Use 2x Bolts M12x45(29) with 2x Washers M12(26) / 2x Washers M12 *small*(27) and 2x Nylock Nuts M12(31), each.

Then, on top of the Reinforcements, fit the supplied Recovery Points(8)(9) with 4x Bolts M12x45(10) with 8x Washers M12(26) and 4x Nylock Nuts M12(31), each.

Finally, in the inside use 2x Bolts M12x45(29) with 2x Washers M12(26) / 2x Washers M12 *small*(27) and 2x Nylock Nuts M12(31), each

Do not tighten yet.

STEP2 - PREPARATION OF AFN FRONT BUMPER



NUMBER	REF	QUANTITY
2	47002088	1x
3	47002089	1x
4	47002513	1x
5	47002514	1x
10	48002544	1x
11	48002545	1x
15	45000502	2x
17	45000896	1x
18	45000897	1x
19	45000901	8x
33	45001809	8x
35	46010208	1x
36	46010209	1x
38	46010211	1x
39	46010212	1x

Before fitting the AFN Front Bumper(1) there are a few steps that needs to be done.

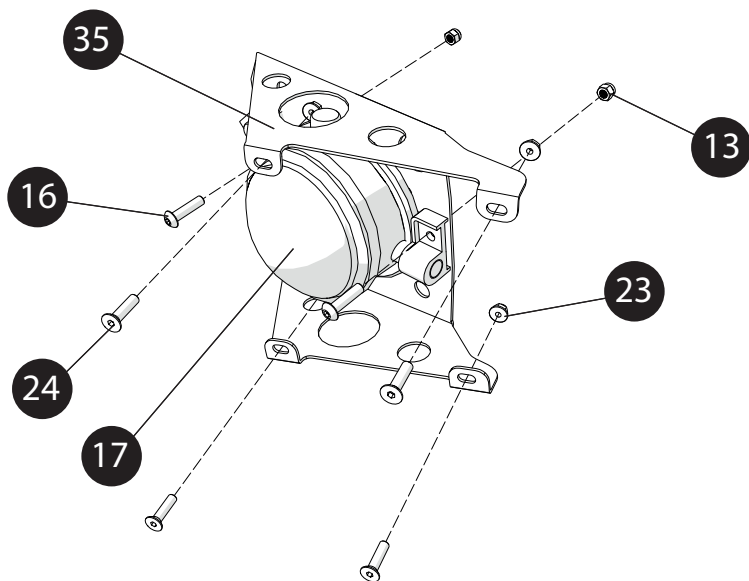
Start by fitting the Bumper Grills(4)(5) in the AFN Bumper.

Then, the Aluminium Plates(38)(39), using 8x Bolts M4x12(33) with 8x Nuts M4(19).

Also, fit the Rubbers(15) on the sides of the AFN Front Bumper(1).

Finally, fit the Led Lights(2)(3) and the Rubber Masks Kit(10)(11). Please see the next step, with the detailed fitting instructions info.

STEP2.1 - ALUMINIUM BRACKETS



LEFT SIDE

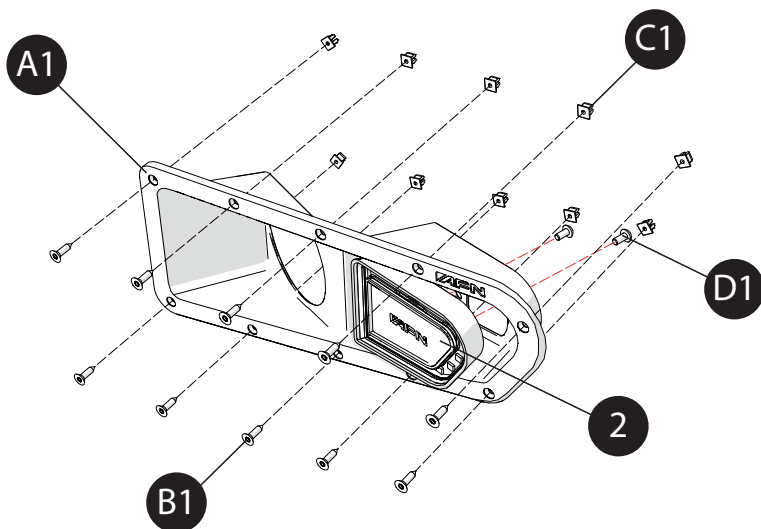
NUMBER	REF	QUANTITY
13	45000402	2x
16	45000877	2x
17	45000896	1x
23	45001166	4x
24	45001232	4x
35	46010208	1x

Fit Fog Light(17) in the Aluminium Bracket(35) using 2x Bolts M5x10(16) with 2x Nylock Nuts M5(13).

Then, fit the Aluminium Bracket(35) in the AFN Bullbar.

Use 4x Bolts M4x12(24) with 4x Nylock Nuts M4(23).

STEP2.2 - RUBBER MASKS WITH LED LIGHTS



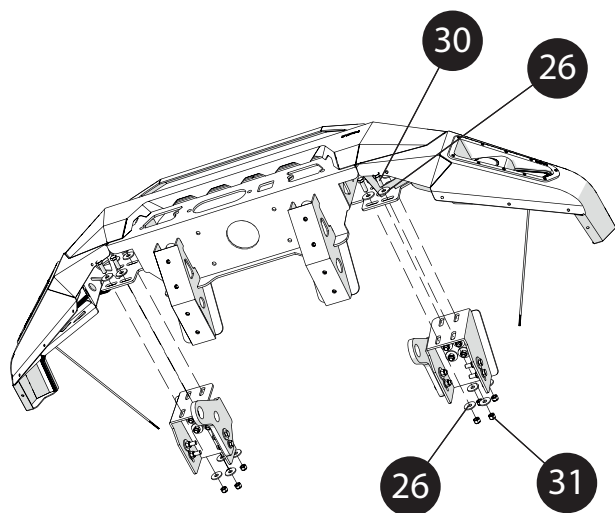
NUMBER	REF	QUANTITY
2	47002088	1x
A1	46007977	1x
B1	45001114	10x
C1	45001113	10x
D1	45000877	2x

Take on Led Light(2) and fit it in the Rubber Mask(A1) using 2x Bolts M5x10(D1).

Once that is done fit the Rubber Mask assembled in the AFN Bullbar. Use 10x Bolts M4x16(B1) with 10x Plastic Nuts M4(C1).

Please be in mind that there is no need to overtight these bolts, because the rubber masks will be crushed causing an unpleasant look.

STEP3 - FITTING AFN BUMPER IN REINFORCEMENTS



NUMBER	REF	QUANTITY
26	45001250	16x
30	45001545	8x
31	45001558	8x

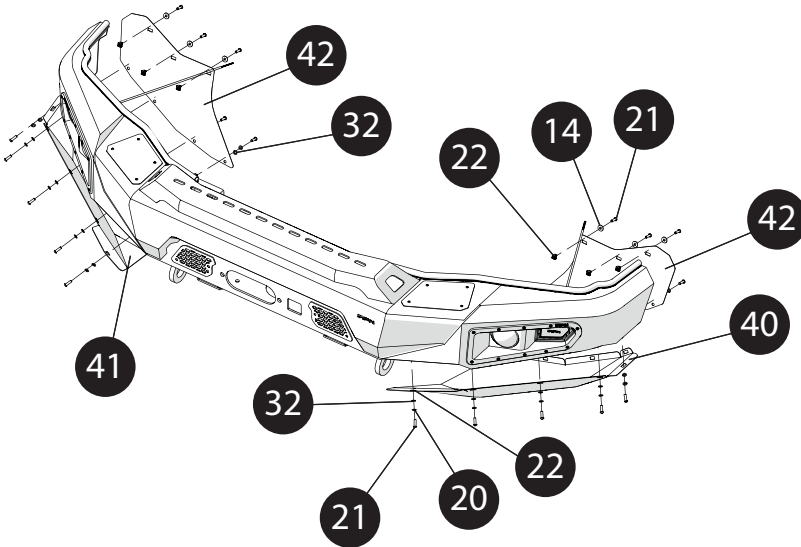
Then, it's time to fit the AFN Front Bumper in the vehicle, you may use a crane to hold the Bumper in the correct place.

Use 8x Bolts M12x35(30) with 16x Washers M12(26) and 8x Nylock Nuts M12(31).

Adjust the Bumper the best way, must have an equal gap(10-15 mm) on both sides.

Once everything is in place, **Give the Final torque.**

STEP4 - FITTING FLAPS IN AFN BUMPER



NUMBER	REF	QUANTITY
14	45000500	6x
20	45000979	18x
21	45000998	24x
22	45001012	24x
32	45001802	18x
40	46010213	1x
41	46010214	1x
42	46010215	2x

Once the AFN Front Bumper is fitted, it's time to fit the Flaps(40)(41).

Use 5x Bolts M6x20(21) with 5x Washers M6(22), 5x Plastic Washers(32) and 5x Cage Nuts M6(22).

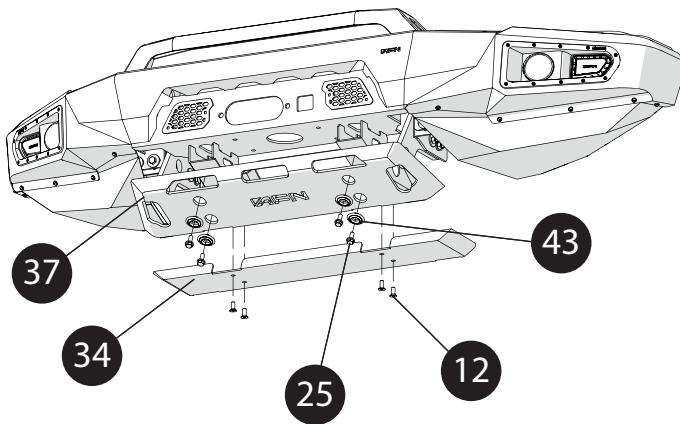
Then, fit Fender Covers(42) using 7x Bolts M6x20(21) with 7x Washers M6(22), 4x Plastic Washers(32) and 7x Cage Nuts M6(22).

Repeat this step on the other side.

Once everything is in place,

Give the Final torque.

STEP5 - FITTING UNDERBODY PROTECTIONS



NUMBER	REF	QUANTITY
12	45000110	4x
25	45001236	4x
34	46010207	1x
37	46010210	1x
43	46010216	4x

Start by fitting Lower Underbody Protection(34) in the vehicle. Use 4x Bolts M10x25(12).

Then, fit the Front Underbody Protection(37) using 4x Bolts M10x25(25) with 4x Aluminum Sleeves M10(43).

Once everything is in place,
Give the Final torque.