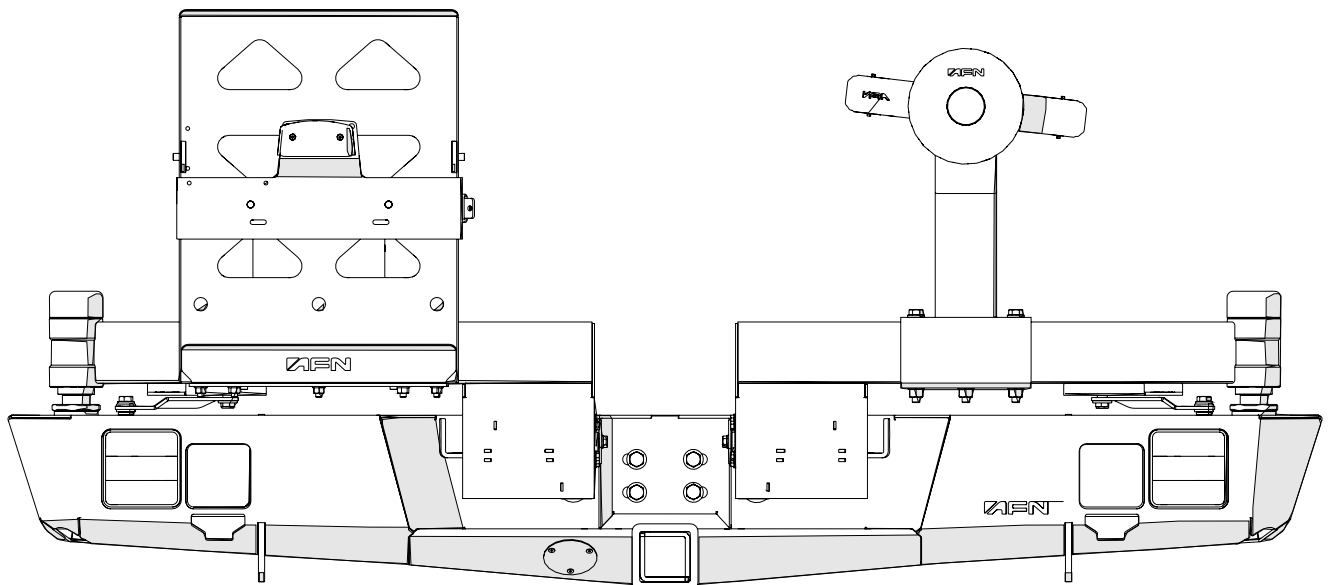




4 X 4 A C C E S S O R I E S

Fitting Instructions

Toyota LC 76



This manual contains the **Toyota LC 76** fitting instructions for:

Rear Bumper REF: **48002684**

AFN 4x4 Accessories

Product: **Rear Bumper**
Ref: **48002684**

Checklist	3
Products 48002684	
Fitting Instructions	4
Step 1	5
Step 2	6
Step 3	7
Final Result	8

CHECKLIST

- In this section you have a checklist with all parts included for the installation of your AFN product
- This product should be installed as demonstrated in the product fitting instructions
- If verified that any component is damaged, please contact your nearest AFN distributor
- The specified parts will only fit in the models specified by AFN
- Do not modify any component of the product

This checklist is for product **48002684**

REF.: 48002684

NUMBER	DESCRIPTION	REFERENCE	QTY
1	Rear Bumper	47002335	1x
2	Bolt M10x25	47000247	6x
3	Pressure Washer M10	47000222	6x
4	Washer M10 (big)	45000010	6x
5	Bolt M12x35	47000315	4x
6	Washer M12	47000042	8x
7	Nylock Nut M12	45000066	2x
8	Bolt M12x30	45000037	2x

FITTING INSTRUCTIONS

WARNING:

Before you begin installation, read all instructions thoroughly.
 Proper tools will improve the quality of installation and reduce the time required.

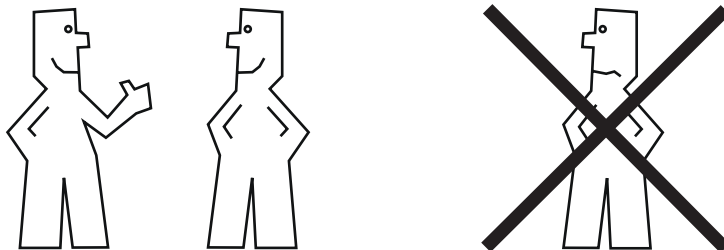
- This product should be installed as demonstrated in the *Product «Fitting Instructions»*;
- The specified parts, will only fit the models specified by **AFN**;
- Do not modify any component of the product;
- It is recommended that this product is installed by specialized and trained personnel;
- AFN doesn't take responsibility for changes made in the vehicle by its manufacturer;
- Work safely and use specialized tools at all times;
- **Always use protective gear.**



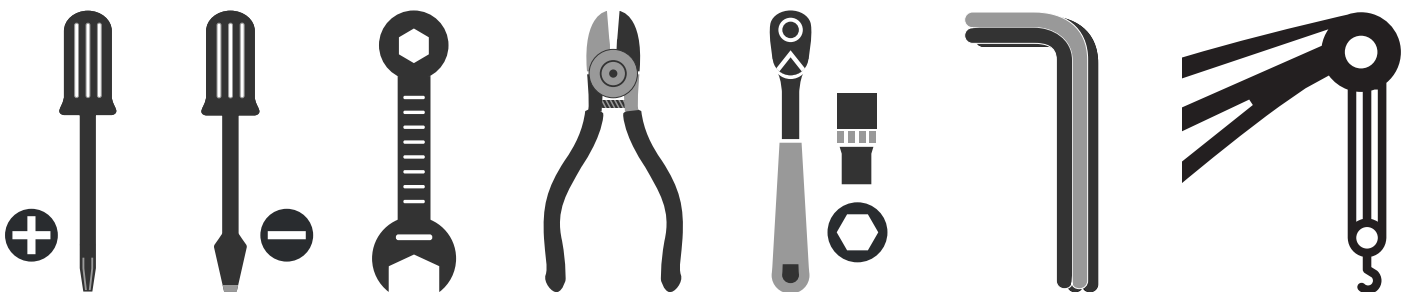
Size	Torque Nm	Torque lbft
M6	9Nm	7lbft
M8	22Nm	16lbft
M10	44Nm	32lbft
M12	77Nm	57lbft

Mouting Time

- 3 Hours
- 2 Persons (recommended)

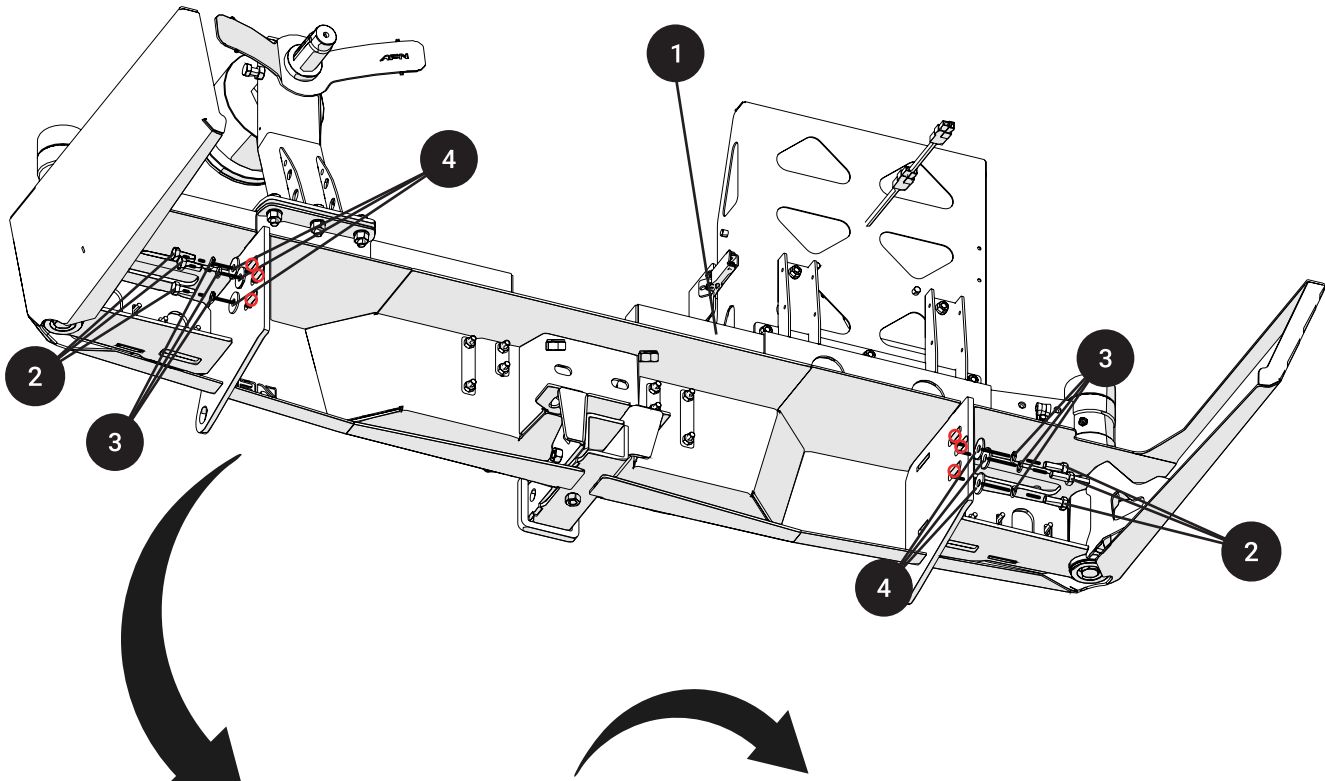


Tools Required

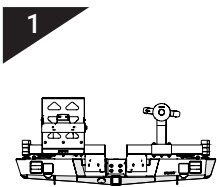


- Screwdriver star head
- Screwdriver flat head
- Wrench
- Wire cutter
- Ratchet wrench
- Allen wrench
- Crane

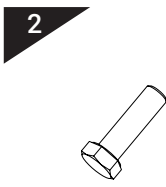
Step 1



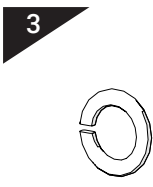
Parts Needed:



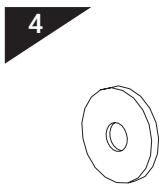
x1 47002335 Rear Bumper



x6 45000247 Bolt M10x25

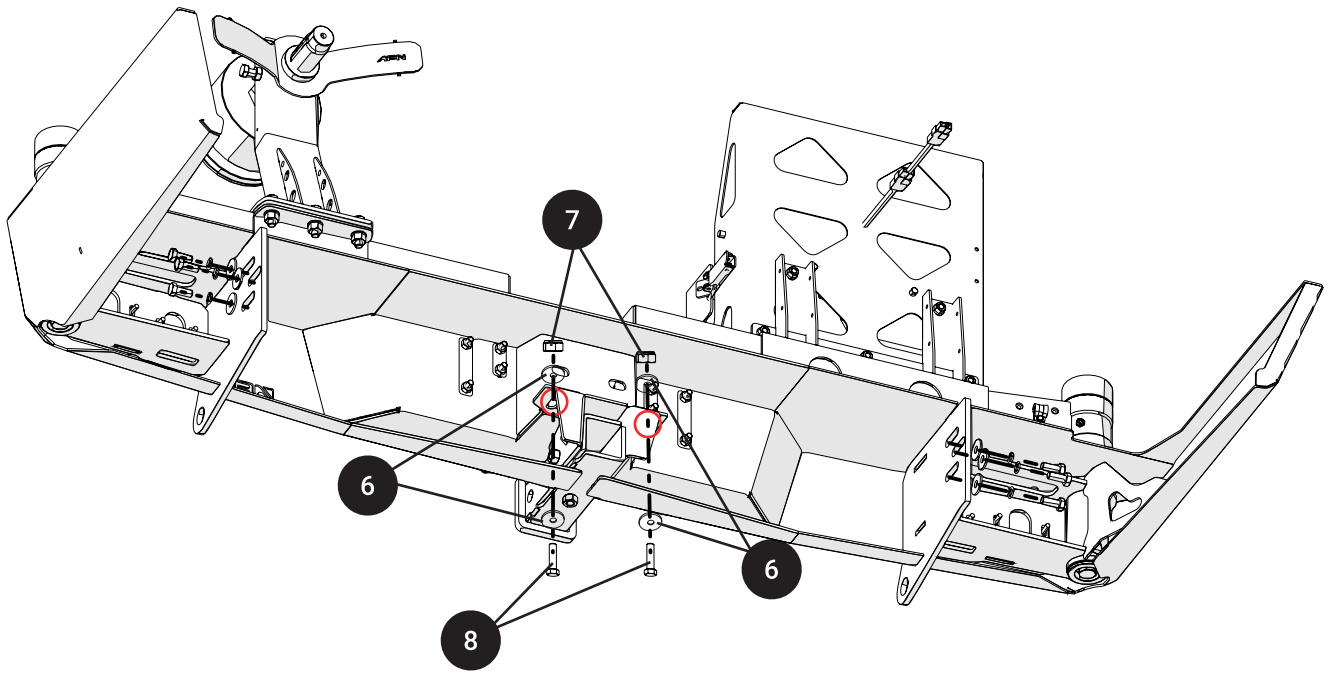
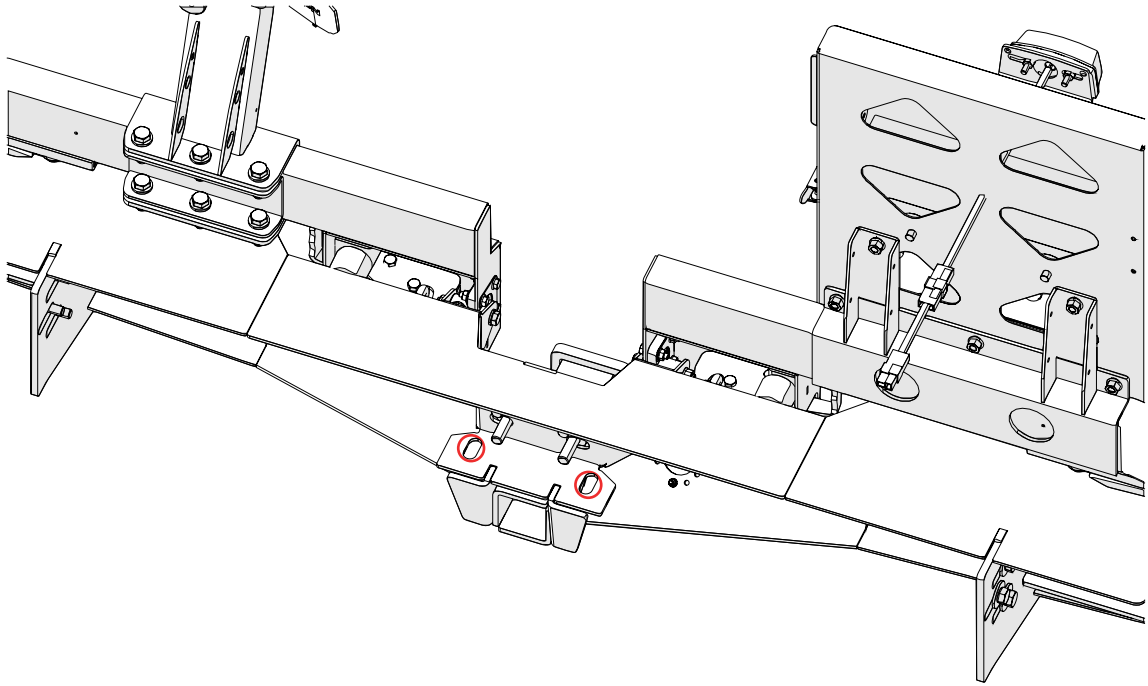


x6 45000222 Pressure Washer M10



x6 45000010 Washer M10 (Big)

Step 2



Parts Needed:

6



x4 45000042
Washer M12

7



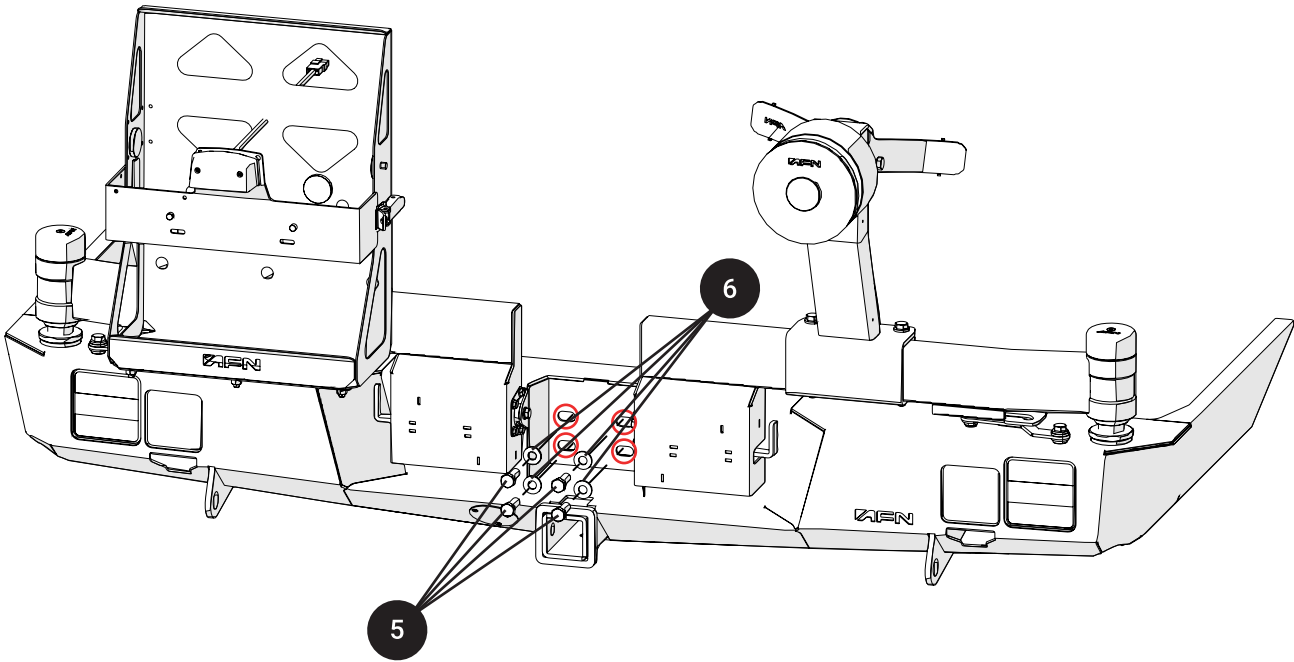
x2 45000066
Nylock Nut M12

8

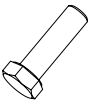


x2 45000037
Bolt M12x30

Step 3



5



x4 45000315
Bolt M12x35

6



x4 45000042
Washer M12

Final Result