

# CRAFTED LIKE NO OTHER

DON'T JUST SETTLE  
FOR THE SAME  
OLD BULL

OWNER MANUAL

TOYOTA  
4RUNNER 2019+

**AFN**<sup>®</sup>  
4 X 4 ACCESSORIES



## WELCOME TO THE AFN FAMILY

This manual contains the **Toyota 4RUNNER +2019** fitting instructions for:  
**Rear Bar w/ Wheel Carrier and Jerrycan Holder Ref.: 48002651**

# 1 INTRODUCTION



## The Company

Founded in 1995, AFN - 4x4 Accessories dedicates itself to the production and commerce of all-terrain accessories. Its constant concern in its customers total satisfaction, and in the ideals of innovation and transformation have granted a position of notability both in the national and international panorama.

The only company in Portugal in the mass production of 4x4 accessories, relies on specialized and experienced technicians, with the most adequate knowledge, to an efficient response capability to its customers demands.

Thanks to the specialization in the several areas of design and manufacture and to a constant investment in technology, AFN has been broadening its wide range of products, without ever neglecting the quality factor.

## 4x4 Accessories

In its diversity of products we can include, with all-terrain quality, protection, safety and aesthetic accessories.

And it is here that AFN invest on the best technology, the best cut precision of the raw material, and the transformation of products with the quality recognized in the marketplace.

AFN has, at its disposal, resources to test and analyse the resistance of its products and stands in the front row regarding the European homologation of materials dedicated to all terrain.

The contact with the most important test laboratories for vehicles, both in England, Spain and Germany, provides AFN with the know-how to manufacture a wide range of quality products.

## Our Design Approach

AFN designs each accessory taking into consideration the original model lines and fitting points. We refuse to have a "one design fits all" solution and we are always looking forward to embrace new challenges on how to adjust a new product into a new model!

The days of just throwing on a bit of steel together to form a protection system are gone. AFN is leading the way modern vehicle protection components are manufactured. Other will follow, and it won't be long where the AFN approach to Styling, Fit, Form and Function will become the benchmark for all other manufacturers.

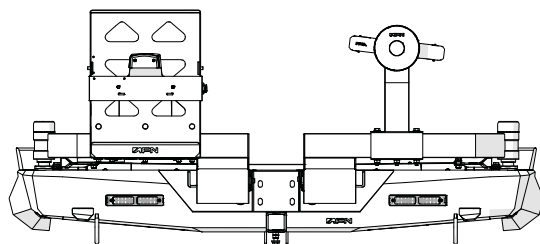




**INDEX**

**AFN 4x4 Accessories**

Product: **Rear Bumper w/ Wheel Carrier and Jerrycan Holder**  
 Part Ref.: **48002651**



**Introduction 2**

**1 Checklist 4**  
 Product 48002651

**2 Fitting Instructions 6**

**3 4RUNNER Catalogue 17**

**4 Warranty Terms 18**

**5 AFN 4x4 Partners 19**



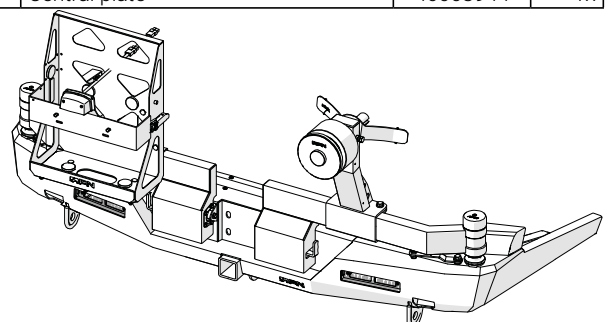
# 1 CHECKLIST

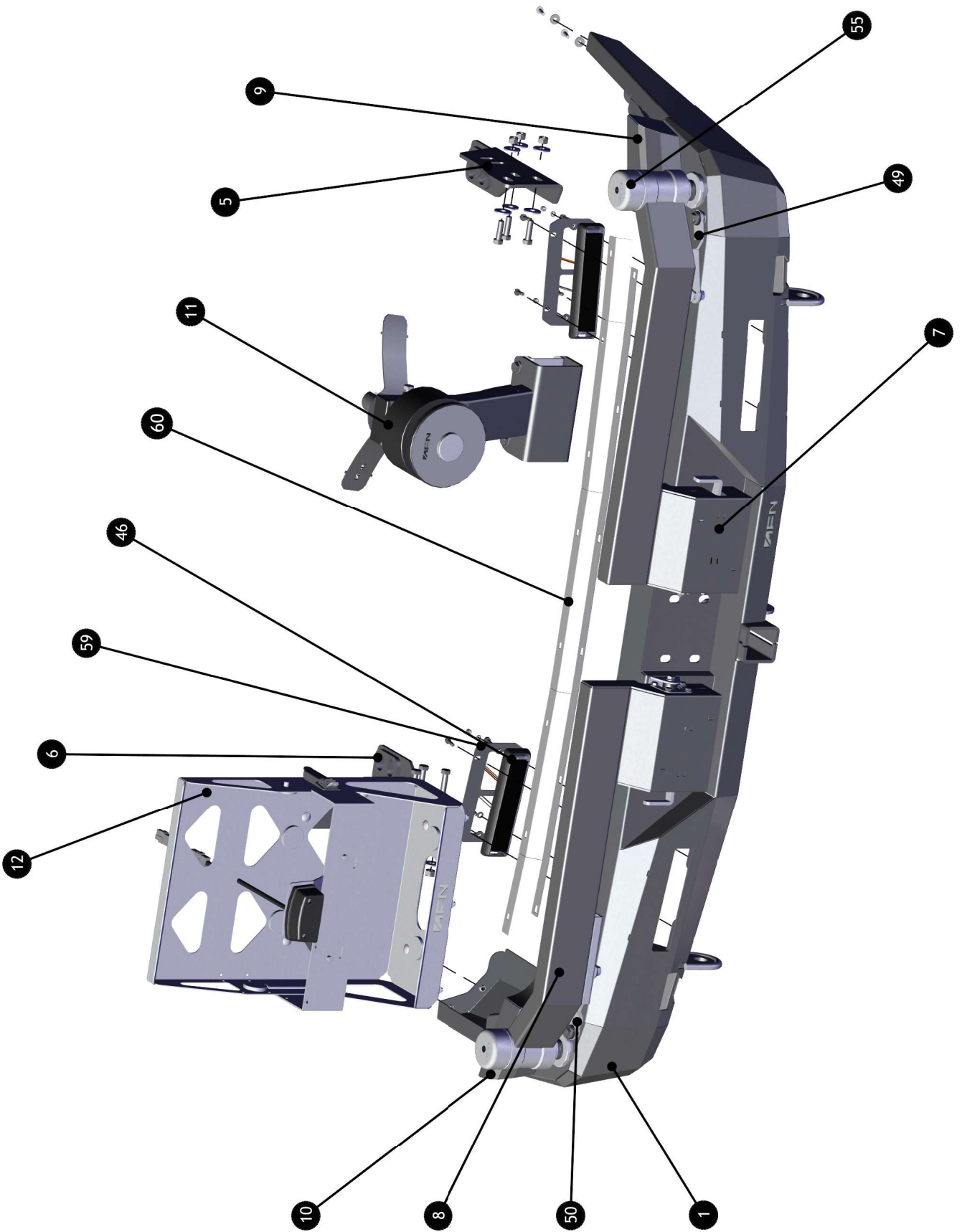


- In this section you have a checklist with all parts included for the installation of your AFN product
- This product should be installed as demonstrated in the product fitting instructions
- If verified that any component is damaged, please contact your nearest AFN distributor
- The specified parts will only fit in the models specified by AFN
- Do not modify any component of the product

This checklist is for product **48002651**.

| NUMBER | DESCRIPTION                               | REFERENCE | QTY | NUMBER | DESCRIPTION                      | REFERENCE | QTY |
|--------|---|-----------|-----|--------|----------------------------------|-----------|-----|
| 1      | Rear Bumper - Toyota 4Runner 2019         | 47002243  | 1x  | 31     | Hex Flange Bolt M10x30           | 45001237  | 2x  |
| 2      | Closing Bracket                           | 47001111  | 2x  | 32     | Hex Flange Bolt M8x20            | 45001240  | 8x  |
| 3      | Double Nut Plate M8 (small)               | 47001450  | 2x  | 33     | Hex Flange Bolt M8x60x20         | 45001242  | 2x  |
| 4      | Double Nut Plate M8 (Big)                 | 47001451  | 2x  | 34     | Flange Nut M8                    | 45001247  | 2x  |
| 5      | Rear Bumper Reinforcement (Right Side)    | 47002244  | 1x  | 35     | Washer M10                       | 45001251  | 12x |
| 6      | Rear Bumper Reinforcement (Left Side)     | 47002245  | 1x  | 36     | Washer M6 (Large)                | 45001252  | 12x |
| 7      | Right Arm for Rear Bumper                 | 47002246  | 1x  | 37     | Washer M6 (Small)                | 45001256  | 8x  |
| 8      | Left Arm for Rear Bumper                  | 47002247  | 1x  | 38     | Flange Bolt M6x20                | 45001257  | 4x  |
| 9      | Rear Bumper Extension Corner (Right Side) | 47002254  | 1x  | 39     | Flange Bolt M6x16                | 45001258  | 6x  |
| 10     | Rear Bumper Extension Corner (Left Side)  | 47002255  | 1x  | 40     | Hex Flange Bolt M12x35           | 45001431  | 1x  |
| 11     | Wheel Carrier                             | 48001309  | 1x  | 41     | Hex Flange Bolt M12x40           | 45001437  | 1x  |
| 12     | Jerrycan Holder                           | 48001522  | 1x  | 42     | Bolt M6x20                       | 45001509  | 12x |
| 13     | Nut M8                                    | 45000013  | 4x  | 43     | Nylock Nut M6                    | 45001522  | 8x  |
| 14     | Bolt M10x25                               | 45000015  | 2x  | 44     | Bolt M10x35                      | 45001553  | 6x  |
| 15     | Nylock Nut M10                            | 45000017  | 2x  | 45     | Nylock Nut M10                   | 45001554  | 6x  |
| 16     | Nylock Nut M8                             | 45000018  | 4x  | 46     | REAR LED LIGHT                   | 45001568  | 2x  |
| 17     | Nut M12                                   | 45000034  | 2x  | 47     | Threaded Shaft                   | 46002340  | 2x  |
| 18     | Bolt M14x30                               | 45000216  | 2x  | 48     | Nylon Bushing M10                | 46002997  | 2x  |
| 19     | Bolt M6x20                                | 45000719  | 2x  | 49     | Opening Limiter (Left Side)      | 46003042  | 1x  |
| 20     | Bearing SKF Ø62xØ35x19                    | 45000871  | 2x  | 50     | Opening Limiter (Right Side)     | 46003043  | 1x  |
| 21     | Bearing SKF Ø55xØ30x19                    | 45000872  | 2x  | 51     | Nut M36                          | 46003951  | 2x  |
| 22     | Nylock Nut M30                            | 45000874  | 2x  | 52     | Washer M12 Ø53                   | 46004340  | 2x  |
| 23     | Nylock Nut M5                             | 45000946  | 4x  | 53     | Nylon Bushing Opening Limiter    | 46004345  | 2x  |
| 24     | Washer M5                                 | 45001002  | 4x  | 54     | Nylon Washer for Opening Limiter | 46004358  | 6x  |
| 25     | Cage Nut M6                               | 45001012  | 14x | 55     | Cap for Threaded Shaft           | 46005253  | 2x  |
| 26     | Bolt M5x20                                | 45001051  | 4x  | 56     | Closing Bracket                  | 46005514  | 2x  |
| 27     | Plastic Nut M4                            | 45001113  | 8x  | 57     | Nylon for Closing Bracket        | 46005515  | 2x  |
| 28     | Bolt M4x16                                | 45001114  | 8x  | 58     | Bushing for Closing Bracket      | 46005516  | 2x  |
| 29     | Bearing Seal Ø55xØ40x7                    | 45001132  | 2x  | 59     | Rear Light Bracket               | 46008943  | 2x  |
| 30     | Bearing Seal Ø62xØ45x7                    | 45001133  | 2x  | 60     | Central plate                    | 46008944  | 1x  |





## 2 FITTING INSTRUCTIONS



**WARNING:**

Before you begin installation, read all instructions thoroughly.  
Proper tools will improve the quality of installation and reduce the time required.

- This product should be installed as demonstrated in the *Product «Fitting Instructions»*;
- The specified parts, will only fit the models specified by **AFN**;
- Do not modify any component of the product;
- It is recommended that this product is installed by specialized and trained personnel;
- AFN doesn't take responsibility for changes made in the vehicle by its manufacturer;
- Work safely and use specialized tools at all times;
- **Always use protective gear.**

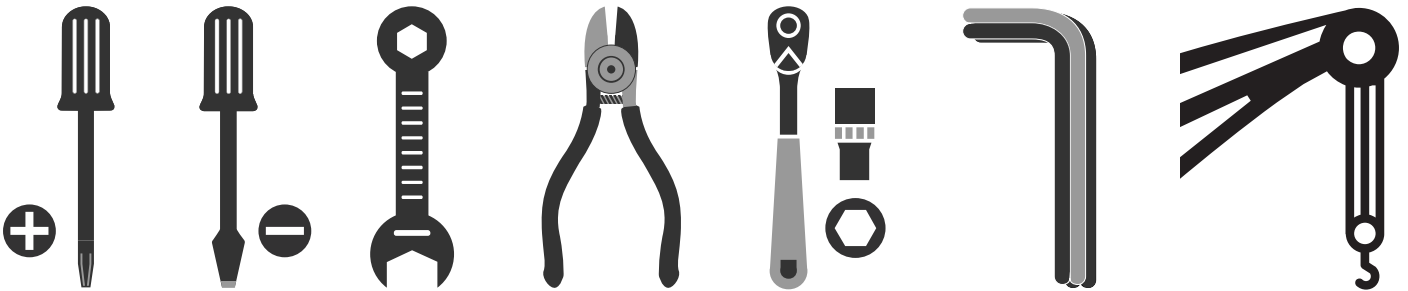


| Size | Torque Nm | Torque lbft |
|------|-----------|-------------|
| M6   | 9 Nm      | 7 lbft      |
| M8   | 22 Nm     | 16 lbft     |
| M10  | 44 Nm     | 32 lbft     |
| M12  | 77 Nm     | 57 lbft     |

### Mouting Time

- 3 hours
- 2 persons (recommended)

### Tools Required



- Screwdriver star head
- Screwdriver flat head
- Wrench
- Wire cutter
- Ratchet wrench
- Allen wrench
- Crane

## Step 1

Remove the *OEM\** Rear Bumper.

## Step 2

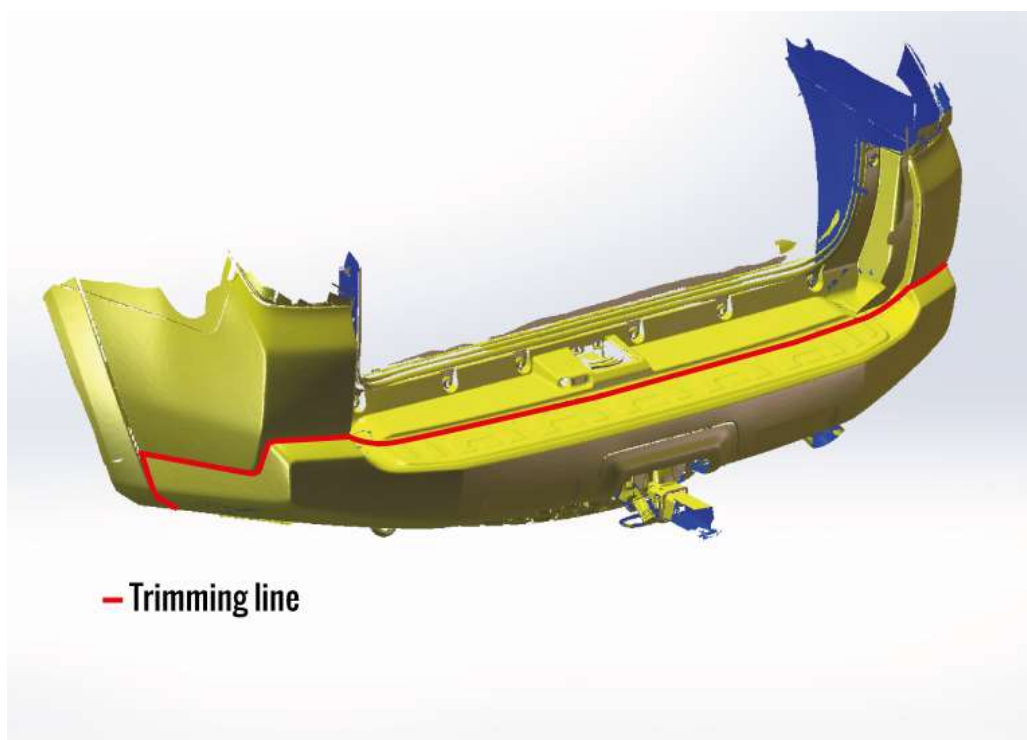
The next step require extreme precision, because it will define how the *OEM\** bumper is going to be cutted.

Please check the iamge on the right to see the **red line of the trimming**.

It is very easy to see where it needs to be cutted, just by following the natural curves of the vehicle.

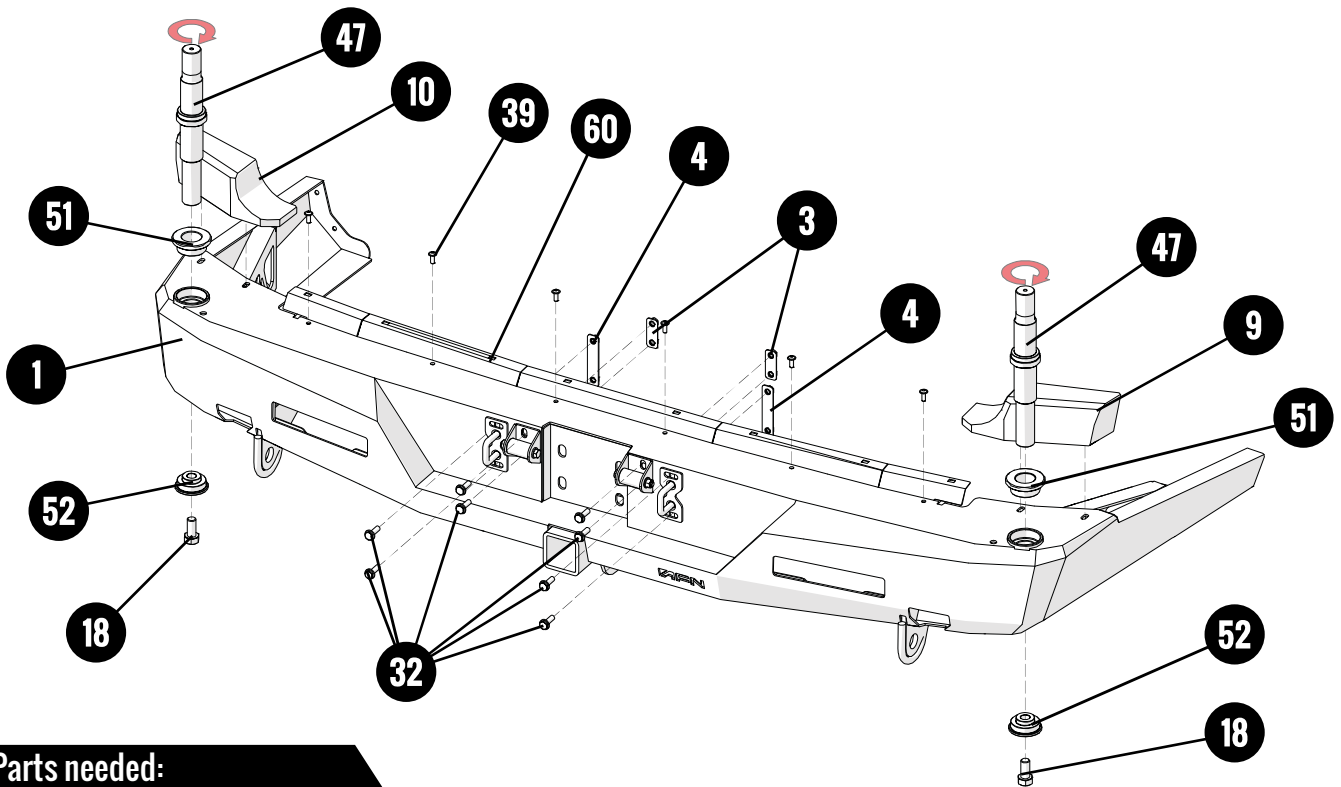
Apply some tape to mark the trimming line.

**You may have to do some final touches in the bumper. When it's done, and if you want to do a cleaner job, you may use a rasp to smooth the rough edges.**

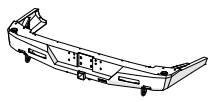



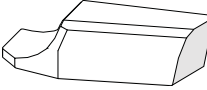
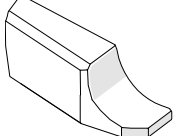
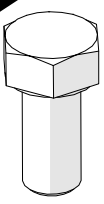
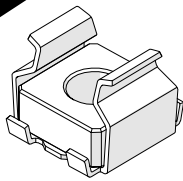
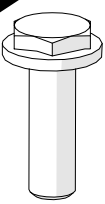
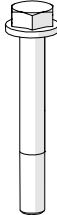
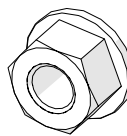
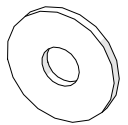
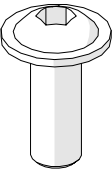
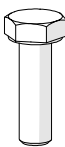
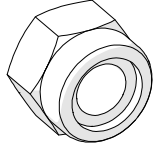


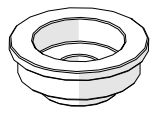
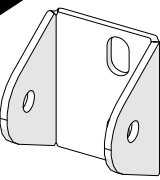
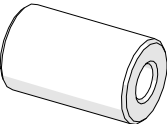
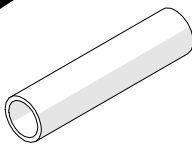



**Step 1 - Preparation of the AFN Rear Step**

**Preview**



**Parts needed:**

- |   |   |   |   |   |   |
|---|---|---|---|---|---|
| <b>1</b><br><br><b>x1</b> Rear Bumper 4Runner 2019 | <b>2</b><br><br><b>x2</b> Closing Bracket            | <b>3</b><br><br><b>x2</b> Double Nut Plate M8 Small    | <b>4</b><br><br><b>x2</b> Double Nut Plate M8 Big    | <b>9</b><br><br><b>x1</b> R. Bump. Extension Corner Right Side | <b>10</b><br><br><b>x1</b> R. Bump. Extension Corner Left Side |
| <b>18</b><br><br><b>x2</b> Bolt M14x30             | <b>25</b><br><br><b>x6</b> Cage Nut M6               | <b>32</b><br><br><b>x8</b> Hex Flange Bolt M8x20       | <b>33</b><br><br><b>x2</b> Hex Flange Bolt M12x60x20 | <b>34</b><br><br><b>x2</b> Hex Flange Nut M8                   | <b>36</b><br><br><b>x8</b> Washer M6                           |
| <b>39</b><br><br><b>x6</b> Flange Bolt M6x16       | <b>42</b><br><br><b>x4</b> Hex Flange Bolt M6x20     | <b>43</b><br><br><b>x4</b> Nylock Nut M6               | <b>47</b><br><br><b>x2</b> Threaded Shaft            | <b>51</b><br><br><b>x4</b> Nut M36                             | <b>52</b><br><br><b>x2</b> Washer M12 Ø53                      |
| <b>56</b><br><br><b>x2</b> Closing Bracket         | <b>57</b><br><br><b>x2</b> Nylon for Closing Bracket | <b>58</b><br><br><b>x2</b> Bushing for Closing Bracket | <b>60</b><br><br><b>x1</b> Central Plate            |   |   |



**Step 1 - Preparation of the AFN Rear Step**

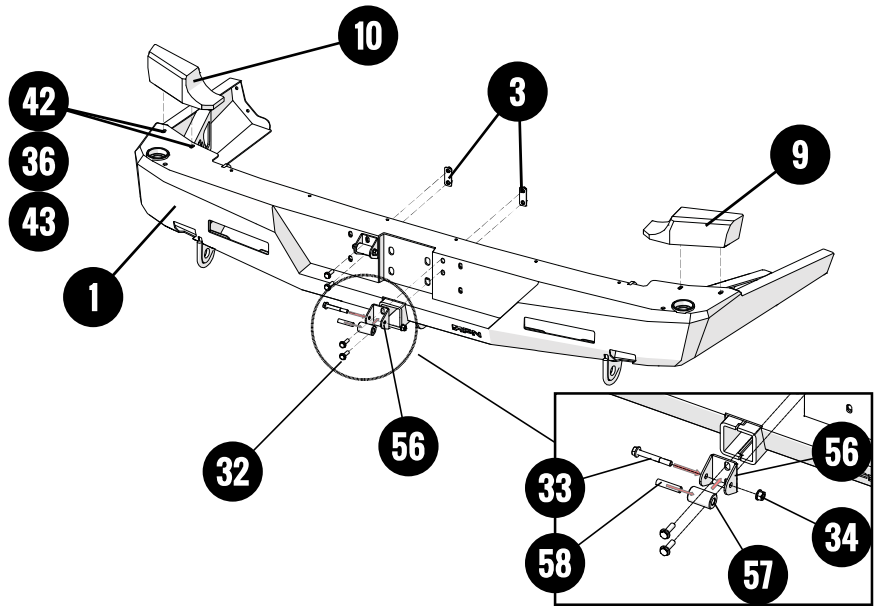
**Installation**

**ATTENTION!**

The following step **only applies if either Wheel Carrier and Jerrycan Holder are not mounted, or if by any case there is a need to dismount them. Proceed to next Step.**

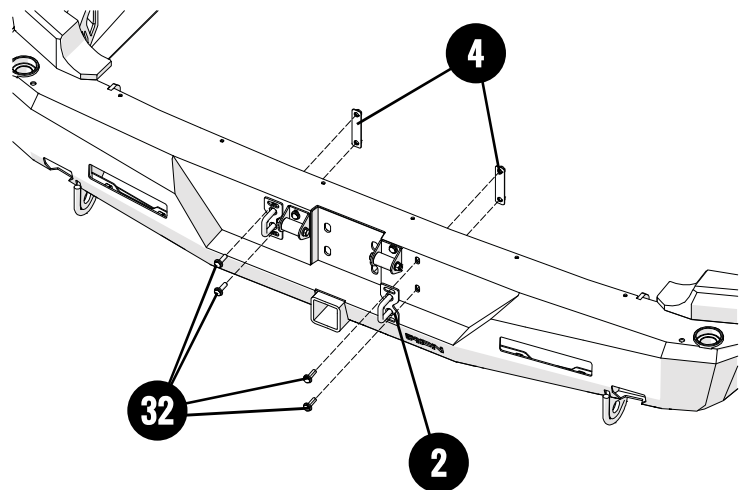
Before inserting the **AFN Rear Bumper(1)** on the vehicle there are some details that we advise to do first (so, place it on a flat working surface).

Take on both Closing Brackets(56) and fit them into the **AFN Rear Bumper(1)**. Please be in mind to fit the Nylon(58) with the Bushing(57) Rear Bumper(1).



Then, fit both Closing Brackets(2) in the **AFN Rear Bumper(1)**.

Use 4x Hex Flange Bolts M8x20(32) and 2x Double Nut Plate(4).



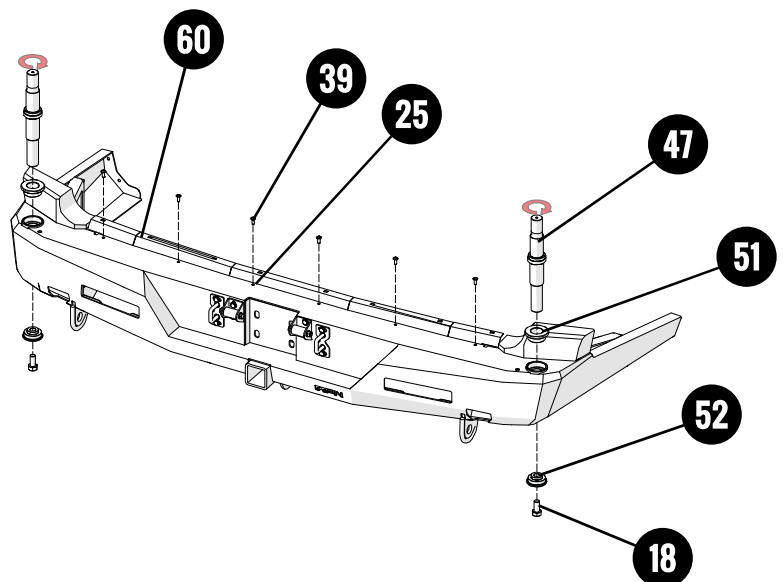
**Give the final torque.**

Once that is done, fit **Threaded Shaft(47)**.

Use 1x Bolt M14x30(18), with 1x Washer M12(52) and 1x Nut M36(51), as showed in the image.

Repeat this step for the other side of the **AFN Rear Bumper(1)**.

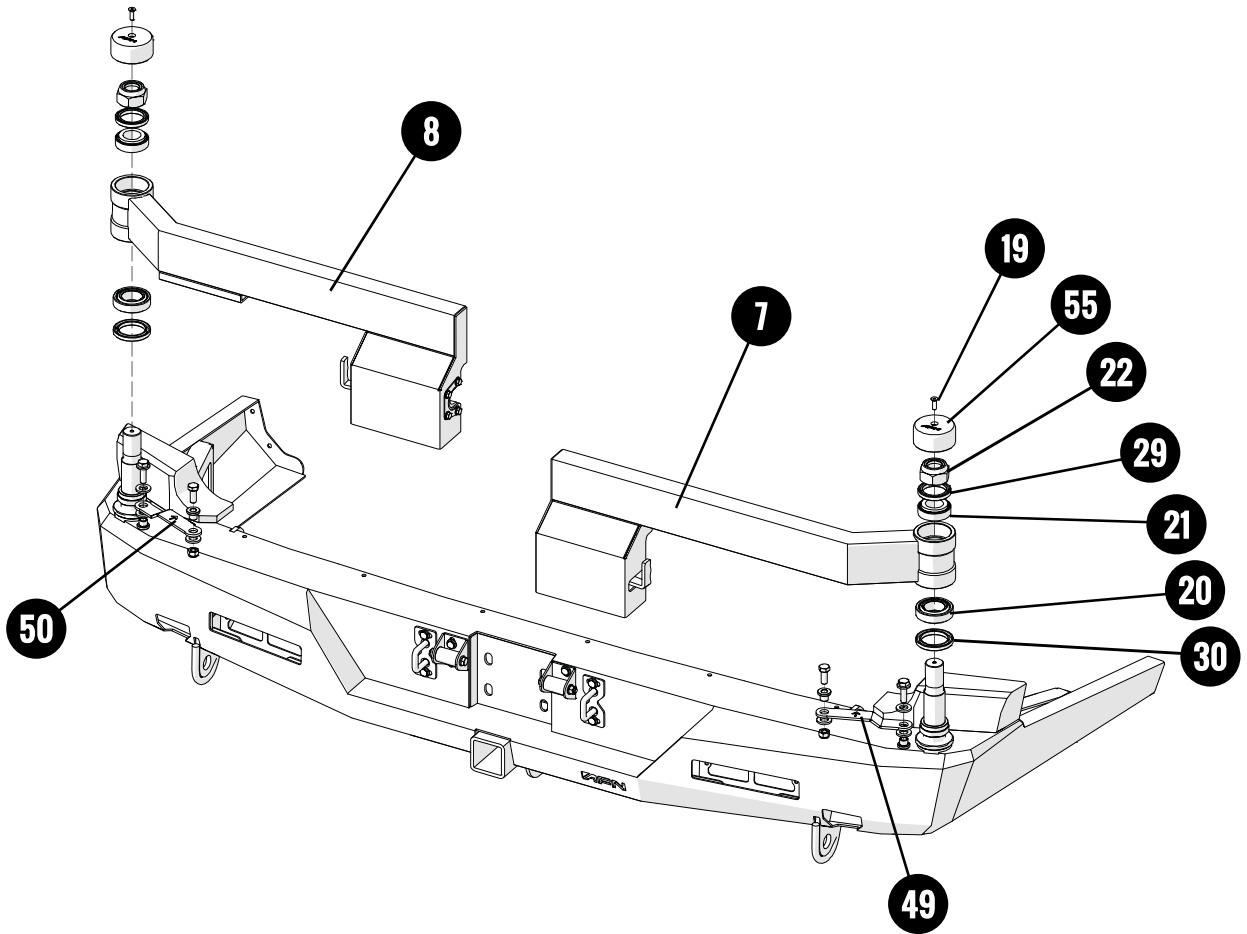
Finally, take on (60) and fit in the **AFN Rear Bumper(1)** using 6x Bolts M6x16(52) with 6x Cage Nuts M6(25).



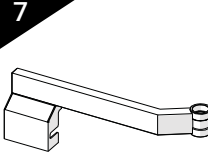
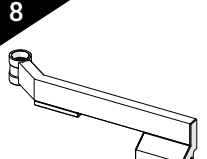
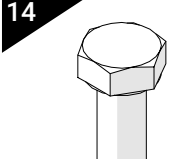
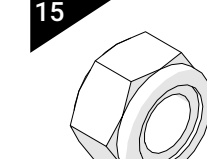
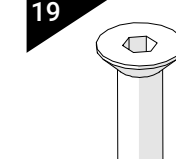
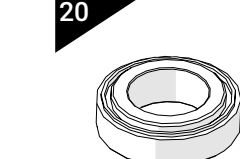
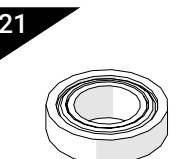
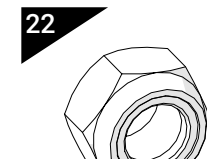
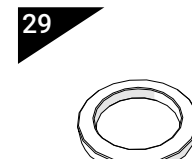
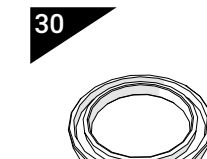
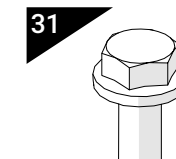
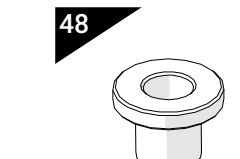
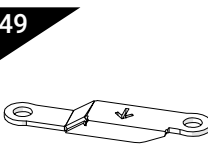
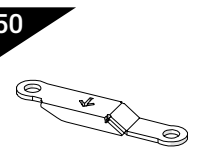
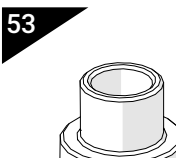
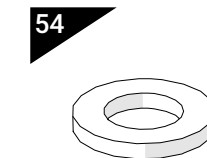
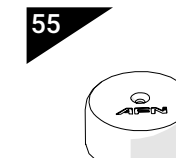
Just finger tight all bolts  
**Do Not tighten yet.**

**Step 2 - Preparation of the AFN Rear Step**

**Preview**



**Parts needed:**

- |  |   |  |   |   |  |
|--|---|--|---|---|--|
| <b>7</b><br><br>x1 Right Arm for Rear Bumper  | <b>8</b><br><br>x1 Left Arm for Rear Bumper    | <b>14</b><br><br>x2 Bolt M10x25                       | <b>15</b><br><br>x2 Nylock Nut M10                   | <b>19</b><br><br>x2 Bolt M6x20             | <b>20</b><br><br>x2 Bearing SKF Ø55xØ40x7       |
| <b>21</b><br><br>x2 Bearing SKF Ø62xØ45x7     | <b>22</b><br><br>x2 Nylock Nut M30             | <b>29</b><br><br>x2 Bearing Seal Ø55xØ40x7            | <b>30</b><br><br>x2 Bearing Seal Ø62xØ45x7           | <b>31</b><br><br>x2 Hex Flange Bolt M10x30 | <b>48</b><br><br>x2 Bushing for Opening Limiter |
| <b>49</b><br><br>x1 Opening Limiter Left Side | <b>50</b><br><br>x1 Opening Limiter Right Side | <b>53</b><br><br>x2 Nylon Bushing for Opening Limiter | <b>54</b><br><br>x6 Nylon Washer for Opening Limiter | <b>55</b><br><br>x2 Plastic Cap            |  |

**Step 2 - Preparation of the AFN Rear Step****Installation****ATTENTION!**

The following step **only applies if either Wheel Carrier and Jerrycan Holder are not mounted, or if by any case there is a need to dismount them. Proceed to next Step.**

Take on Left Arm for Rear Bumper(8) and fit it into the **AFN Rear Bumper(1)**. Bolts needed: Start by inserting 1x Bearing Seal(22) with 1x Bearing SKF(20), then comes the Left Arm(8).

On top, insert 1x Bearing SKF(21) with 1x Bearing Seal(29) and 1x Nylock Nut M30(30).

Finally use the 1x Plastic Cap(55) with 1x Bolt M6x20(19).

Once the **Left Arm** is secured, fit the Opening Arm Limiter(49). It connects the **Left Arm(8)** to the **AFN Rear Bumper(1)**. Bolts needed:

Use 1x Hex Flange Bolt M10x30(31) with 2x Nylon Washers M10(54) and 1x Nylon Bushing(53).

Then, use 1x Bolt M10x25(14) with 1x Nylon Bushing(48), 1x Nylon Washer M10(54) and 1x Nylock Nut M10(15).

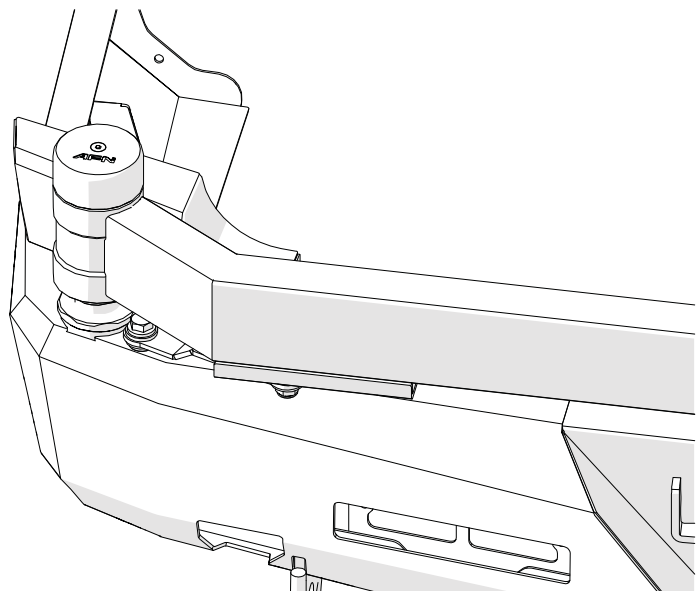
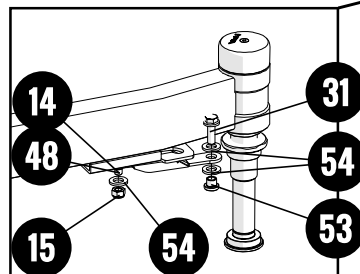
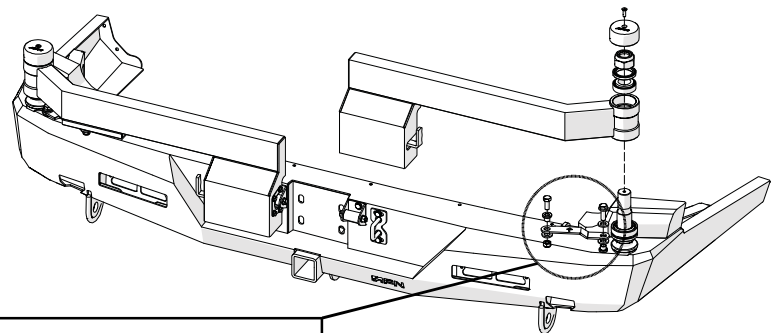
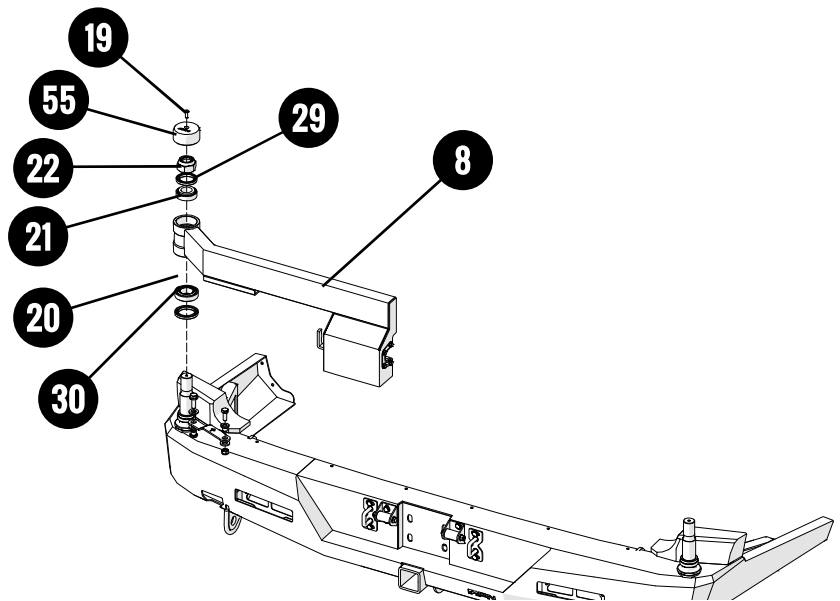
Just finger tight all bolts

**Do Not tighten yet.**

Repeat the previous steps for the other side for the Right Arm(7).

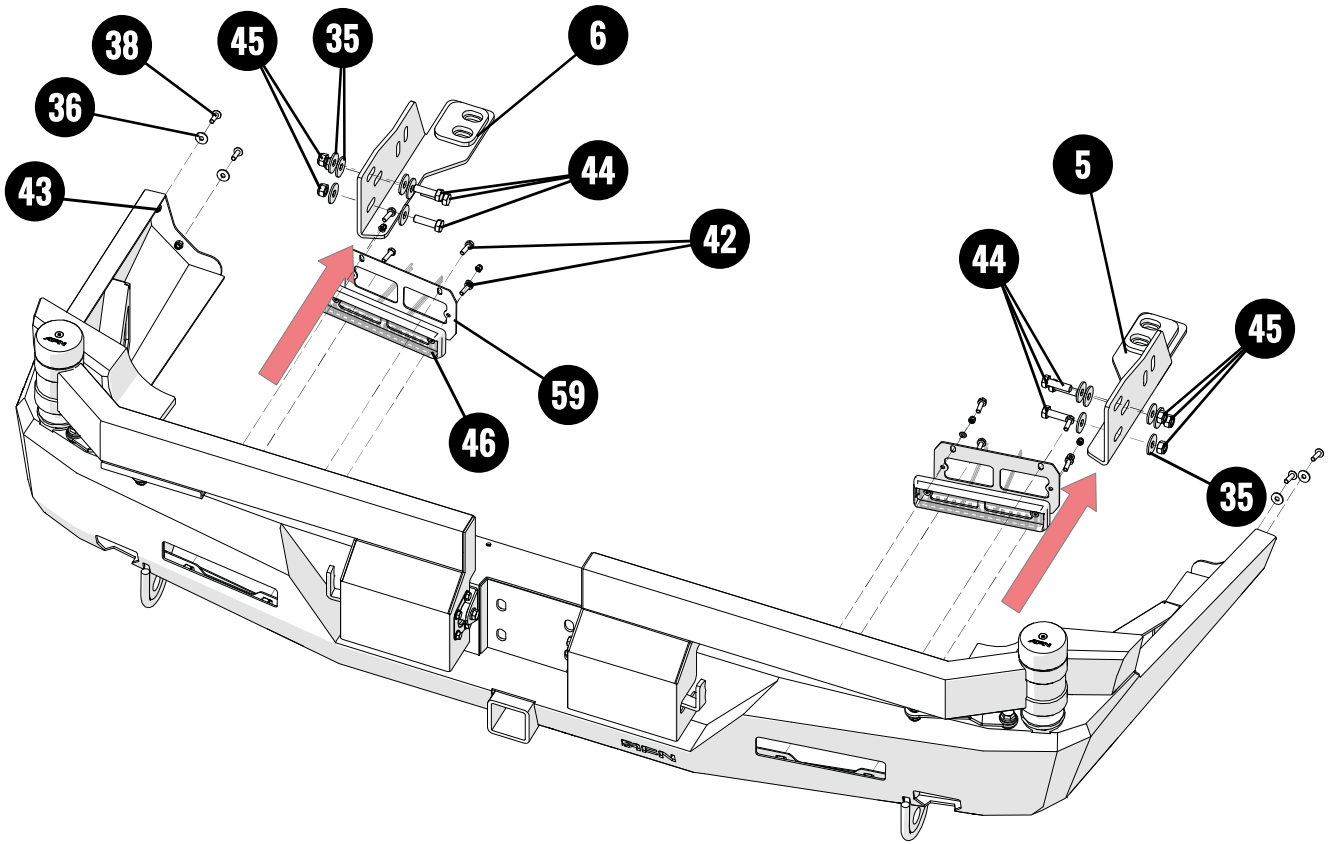
If you have done it correctly, this is what it should look like.

Once everything is correctly fitted, **Give the final torque.**

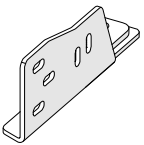
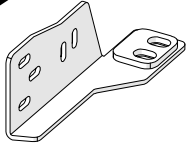
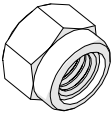
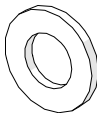
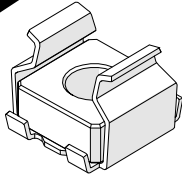
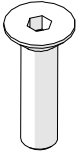
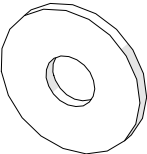
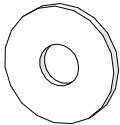
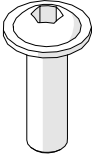
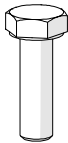
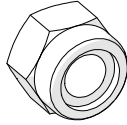
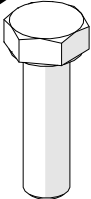
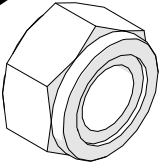
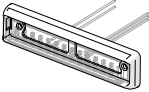
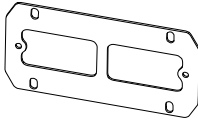


**Step 3 - Fitting the AFN Rear Bumper in the Vehicle**

**Preview**



**Parts needed:**

- |   |  |  |  |   |   |
|---|--|--|--|---|---|
| <p><b>5</b></p>  <p><b>x1</b> Rear Bumper Reinforc. Right Side</p> | <p><b>6</b></p>  <p><b>x1</b> Rear Bumper Reinforc. Left Side</p> | <p><b>23</b></p>  <p><b>x4</b> Nylock Nut M5</p>      | <p><b>24</b></p>  <p><b>x4</b> Washer M5</p>  | <p><b>25</b></p>  <p><b>x8</b> Cage Nut M6</p>   | <p><b>26</b></p>  <p><b>x4</b> Bolt M5x20</p>  |
| <p><b>35</b></p>  <p><b>x12</b> Washer M10</p>                     | <p><b>36</b></p>  <p><b>x12</b> Washer M6</p>                     | <p><b>38</b></p>  <p><b>x4</b> Flange Bolt M6x20</p>  | <p><b>42</b></p>  <p><b>x8</b> Bolt M6x20</p> | <p><b>43</b></p>  <p><b>x4</b> Nylock Nut M6</p> | <p><b>44</b></p>  <p><b>x6</b> Bolt M10x35</p> |
| <p><b>45</b></p>  <p><b>x6</b> Nylock Nut M10</p>                  | <p><b>46</b></p>  <p><b>x2</b> Rear Led Light</p>                 | <p><b>59</b></p>  <p><b>x2</b> Rear Light Bracket</p> |  |   |   |

### Step 3 - Fitting the AFN Rear Bumper in the Vehicle

### Installation

Once the Arms are fitted on the **AFN Rear Bumper(1)**,

Take on **Rear Light(46)** and fit it on Rear Light Bracket(**59**) using 2x Bolts M5x20(**26**) with 2x Washers M5(**24**) and 2x Nylock Nuts M5(**23**).

Then, fit the assembled part in the **AFN Rear Bumper(1)**, using 4x Bolts M6x20(**42**) with 4x Washers M6(**36**) and 4x Cage Nuts M6(**25**).

Take on both Rear Bumper Reinforcements (**5**) and (**6**), and fit them on vehicle.

Use the *OEM\** bolts in the highlighted areas.

**Give the final torque.**

Then, with help of another person or a Crane, fit the **AFN Rear Bumper(1)** above both Rear Bumper Reinforcements (**5**) and (**6**).

Bolts needed:

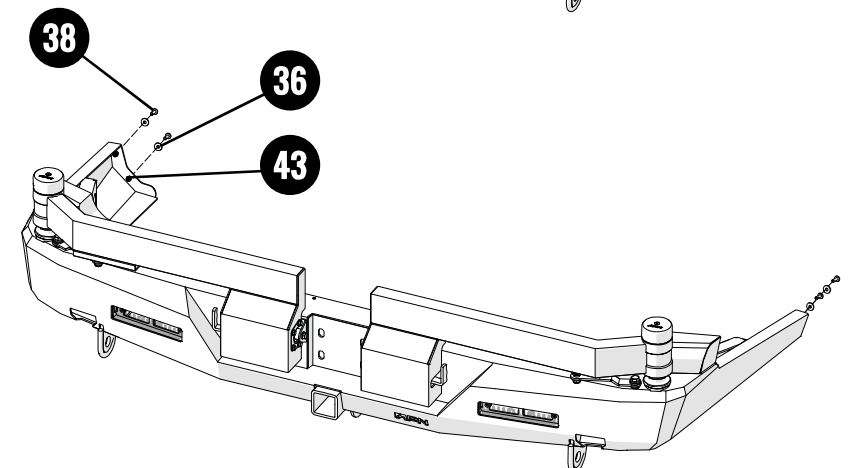
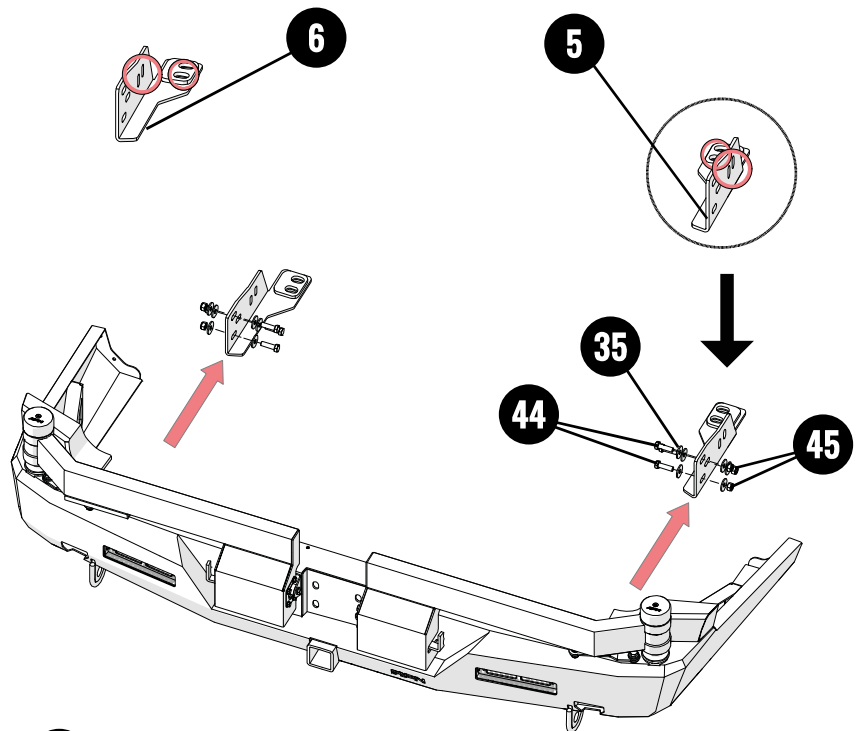
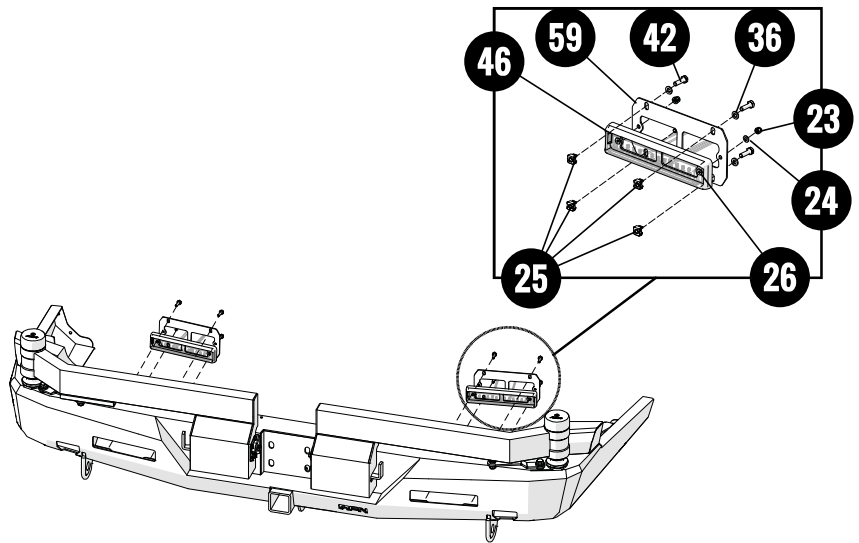
Use 6x Hex Flange Bolts M10x35(**44**), with 12x Washers M10(**35**) and 6x Nylock Nuts M10(**45**).

Once the **AFN Rear Bumper(1)** is secured, fit both ends of the **AFN Rear Bumper(1)**:

Use 2x Bolts M6x20(**38**) with 2x Washers M6(**36**) and 2x Nylock Nuts M6(**43**), on each side.

Once everything is correctly fitted,

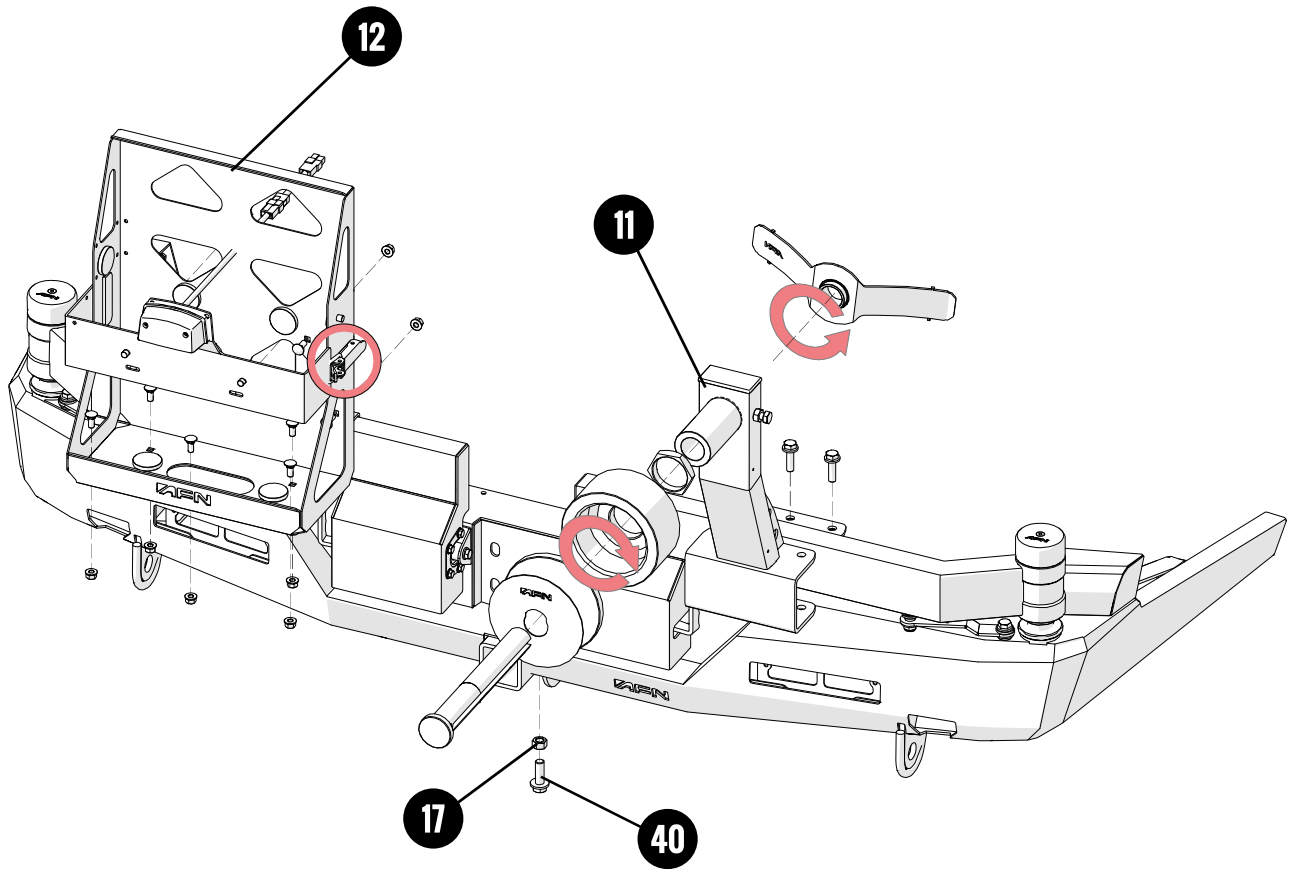
**Give the final torque.**



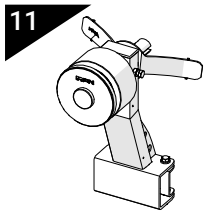
\*OEM - Original Equipment Manufacturer

**Step 4 - Fitting the Wheelcarrier and Jerrycan-Holder in AFN Rear Bumper**

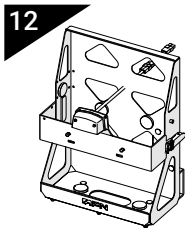
Preview



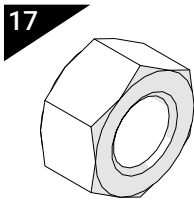
**Parts needed:**



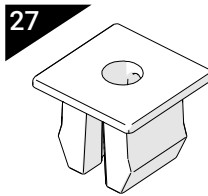
x1 Wheel Carrier



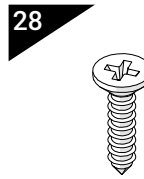
x4 Jerrycan Holder



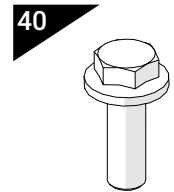
x2 Nut M12



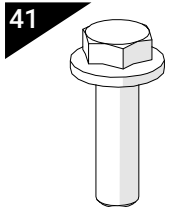
x6 Plastic Nut M4



x6 Bolt M4x16



x1 Hex Flange Bolt M12x35



x1 Hex Flange Bolt M12x40

**12** 48001522

| NUMBER | REF      | QUANTITY |
|--------|----------|----------|
| A3     | 46003334 | 1x       |
| B3     | 46003335 | 1x       |
| C3     | 47001233 | 1x       |
| D3     | 47001696 | 1x       |
| E3     | 45001247 | 10x      |
| F3     | 45001260 | 10x      |

**11** 48001309

| NUMBER | REF      | QUANTITY |
|--------|----------|----------|
| A2     | 47000800 | 1x       |
| B2     | 47000801 | 1x       |
| C2     | 46002408 | 1x       |
| D2     | 46005351 | 1x       |
| E2     | 46005352 | 1x       |
| F2     | 46005353 | 1x       |
| G2     | 46005354 | 1x       |
| H2     | 45001238 | 6x       |
| I2     | 45001248 | 6x       |

**Step 4 - Fitting the Wheelcarrier and Jerrycan-Holder in AFN Rear Bumper**

**Installation**

Once the **AFN Rear Bumper(1)** is correctly fitted, it's time to do the final touches in order to complete this fitting instructions manual.

So, take on Wheel Carrier(**11**) and fit it on **Right Arm(7)** using 6x Hex Flange Bolts M10x35(**H2**) and 6x Flange Nuts M10(**I2**) connecting the Tire Bracket(**A2**) with the other Bracket(**C2**).

Then, insert the Tire Bracket Nut(**G2**) with the Nylon Tire Limiter(**F2**).

Finally, once the Tire is fitted, secure it with the other Nylon Tire Limiter and Cap(**E2**) and screw them with Shaft (**E2**). *(They already go mounted)*

Take both Jerrycan Bracket(**D3**) and Jerrycan Holder(**A3**) and fit them in the **Left Arm(8)** using 10x Bolts M8x20(**F3**) with 10x Flange Nuts M8(**E3**), 5x on bottom and 5x on the back.

If you have a jerrycan to be mounted, now is the time insert it.

Then, take on **Jerrycan Holder Door(B3)** and fit it on **Jerrycan Holder(A3)** and then, just close the door of the Jerrycan Holder(**11**), check the circle in the image.

**Give the final torque.**

Then, fit the **Central Plate (40)** to the vehicle.

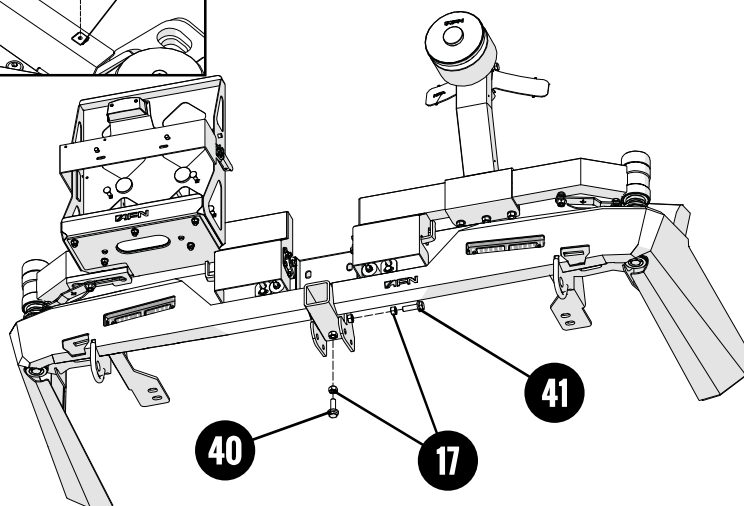
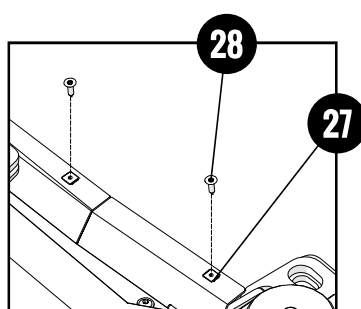
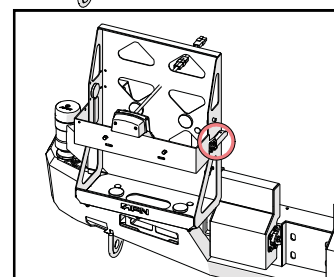
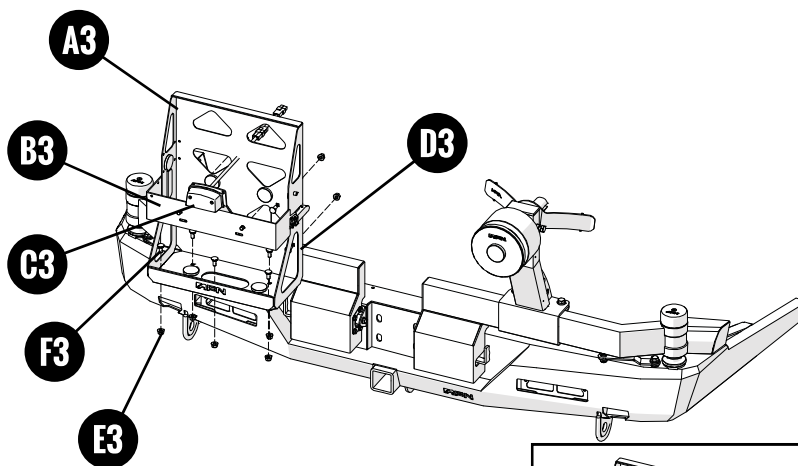
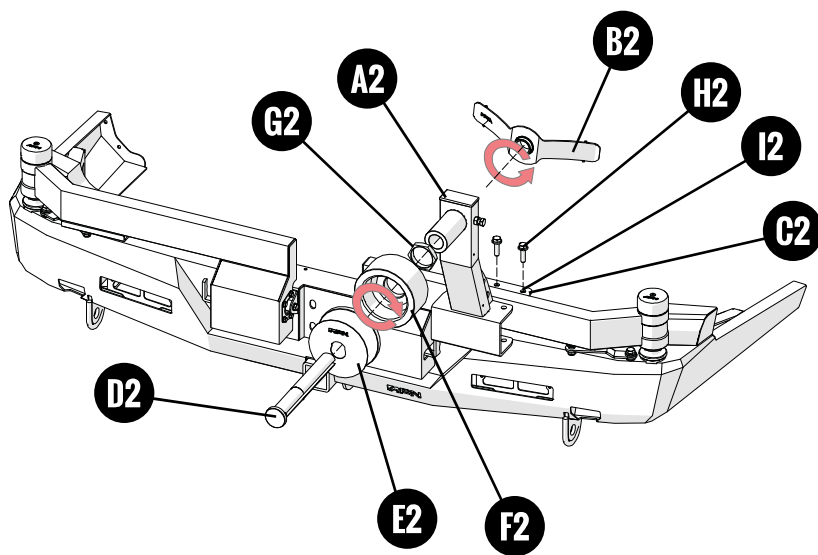
Use 6x Bolts M4x16(**28**) with 6x Plastic Nuts M4(**27**).

Finally, insert the bolts of the Tow Bar fixing system.

Use 1x Hex Flange Bolt M12x35(**40**) with 1x Nut M12(**17**).

On the side, use 1 Hex Flange Bolt M12x40(**41**) with 1x Nut M12(**17**).

**Give the final torque.**



## Step 5 - Final Result

Your new **AFN REAR STEP** is now installed on your **Toyota 4RUNNER!**

Have Fun!



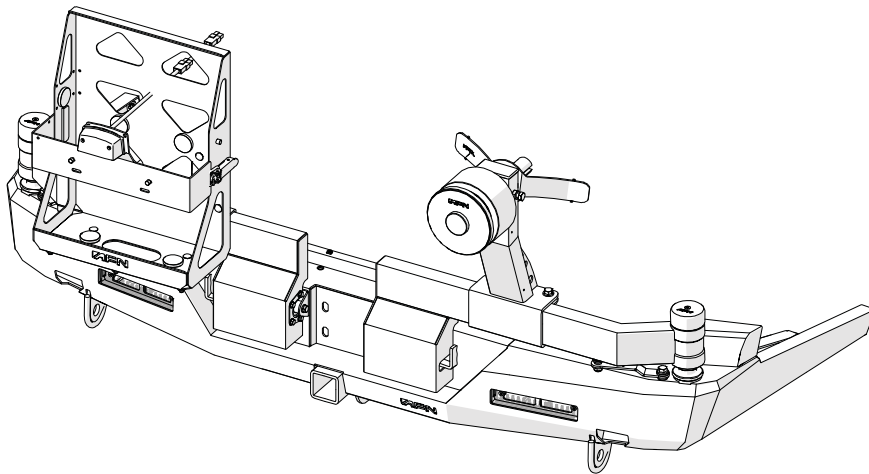
## Reminder !

Before operating a vehicle fitted with an **AFN Rear Step Bar | Rear Bumper**:

- Make sure all fittings are tightened
- Check winch operation (if installed)
- Check all electrical wiring attached to lights and parking sensors (if installed)

## Maintenance | Care

Periodically check and tighten all nuts. Stripped, fractured or bent bolts or nuts need to be replaced.







## 3 4RUNNER CATALOGUE

**AFN 4x4 Accessories** is becoming a well known brand for its products due to its quality, design and safety which are challenged for thousands of people everyday, worldwide.

In its diversity of products we can include, with all-terrain quality, protection, safety and aesthetic accessories. With that being said, **AFN 4x4** has some other accessories that every offroad passionate would like to have, such as **Body Protections, Underbody Protections, Light Holders, Storage** (Wheel Supports and Jerry-can carriers) and others related to the **Aesthetics**.

We have some 4x4 accessories that combine with the original model lines that if you take a closer look you will see that they don't appear to be an accessorie, but a must-have.

Please be in mind that some accessories are available only to some models.

Feel free to check all the products that may interest you in our website at: [www.afn.pt](http://www.afn.pt)



Ref.: 48002640 - Front Bumper with fog lights



Ref.: 48002651 - Rear Bumper w/ Wheel Carrier and Jerrycan Holder

## 4 WARRANTY TERMS

**AFN4x4** products are warranted free from defects in materials and workmanship for a period of two (2) years from the date of initial retail purchase. Third-party components are delivered under the original manufacturer warranty.

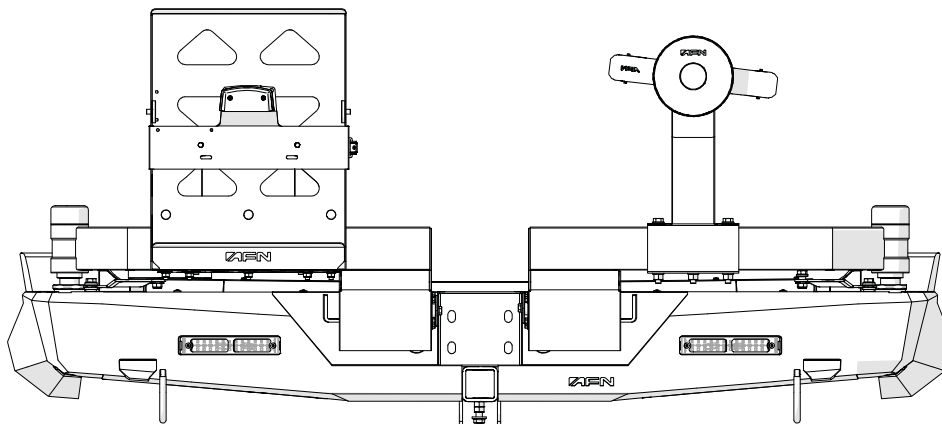
Under the present warranty, **AFN4x4** obligation shall be limited to repairing, replacing or crediting, at its option, any part found to be defective.

**AFN4x4** does not warrant or make any representations concerning its goods when:

- a) The products are purchased used, scratch and dent or when the box was opened.
- b) The products are not installed, used, and maintained strictly in accordance with **AFN4x4**'s instructions.
- c) The products are installed in vehicles that are used in competition.
- d) The products are installed in vehicles fitted with aftermarket non-standard tires with diameters in excess of OEM\* specifications.
- e) The products are installed in vehicles with engines that have been modified to increase performance.

**AFN4x4** will not be responsible for goods damaged in transit. If any goods arrive damaged, please contact the **AFN4x4** as soon as possible. **AFN4x4** will assess and may arrange to have the damaged goods returned to a **AFN4x4** Distributor and arrange for a replacement of the goods. Damaged goods must be returned in the condition received by you with all original packaging, accessories and/or manuals. If they are not returned in same condition sent there may be an additional fee charged.

To file a claim under this warranty please contact **AFN4x4** at +351 256 808 300 or via email at [geral@afn.pt](mailto:geral@afn.pt) to request a *Returned Goods Authorization (RGA)* number and instructions for returning the defective component.





DON'T JUST SETTLE FOR THE SAME OLD BULL



SALES@AFN.PT | FACEBOOK.COM/AFN4X4

# WELCOME TO THE AFN FAMILY



União Europeia  
Fundação Europeia de Desenvolvimento Regional

