

CRAFTED LIKE NO OTHER

DON'T JUST SETTLE
FOR THE SAME
OLD BULL

OWNER MANUAL

TOYOTA
LAND CRUISER 200 2018+

AFN[®]
4 X 4 ACCESSORIES



WELCOME TO THE AFN FAMILY

This manual contains the **Toyota LAND CRUISER 200 +2018** fitting instructions for:
Radiator Skid Plate Ref.: 48001194 **Gearbox Skid Plate Ref.: 48001196**
Fuel Tank Skid Plate Ref.: 48001198

1 INTRODUCTION



The Company

Founded in 1995, AFN - 4x4 Accessories dedicates itself to the production and commerce of all-terrain accessories. Its constant concern in its customers total satisfaction, and in the ideals of innovation and transformation have granted a position of notability both in the national and international panorama.

The only company in Portugal in the mass production of 4x4 accessories, relies on specialized and experienced technicians, with the most adequate knowledge, to an efficient response capability to its customers demands.

Thanks to the specialization in the several areas of design and manufacture and to a constant investment in technology, AFN has been broadening its wide range of products, without ever neglecting the quality factor.

4x4 Accessories

In its diversity of products we can include, with all-terrain quality, protection, safety and aesthetic accessories.

And it is here that AFN invest on the best technology, the best cut precision of the raw material, and the transformation of products with the quality recognized in the marketplace.

AFN has, at its disposal, resources to test and analyse the resistance of its products and stands in the front row regarding the European homologation of materials dedicated to all terrain.

The contact with the most important test laboratories for vehicles, both in England, Spain and Germany, provides AFN with the know-how to manufacture a wide range of quality products.

Our Design Approach

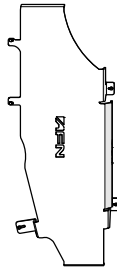
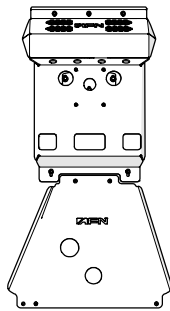
AFN designs each accessory taking into consideration the original model lines and fitting points. We refuse to have a "one design fits all" solution and we are always looking forward to embrace new challenges on how to adjust a new product into a new model!

The days of just throwing on a bit of steel together to form a protection system are gone. AFN is leading the way modern vehicle protection components are manufactured. Other will follow, and it won't be long where the AFN approach to Styling, Fit, Form and Function will become the benchmark for all other manufacturers.





INDEX



AFN 4x4 Accessories
 Product: **Radiator Skid Plate**
 Part Ref.: **48001194**

Product: **Gearbox Skid Plate**
 Part Ref.: **48001196**

Product: **Fuel Tank Skid Plate**
 Part Ref.: **48001198**

Introduction 2

1 Checklist 4
 Product 48001194
 Product 48001196
 Product 48001198

2 Fitting Instructions 6

3 LC200 Catalogue 15

4 Warranty Terms 16

5 AFN 4x4 Partners 17



1 CHECKLIST



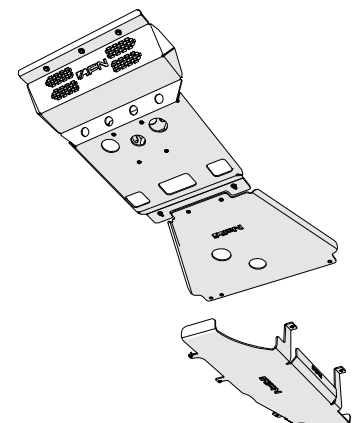
- In this section you have a checklist with all parts included for the installation of your AFN product
- This product should be installed as demonstrated in the product fitting instructions
- If verified that any component is damaged, please contact your nearest AFN distributor
- The specified parts will only fit in the models specified by AFN
- Do not modify any component of the product

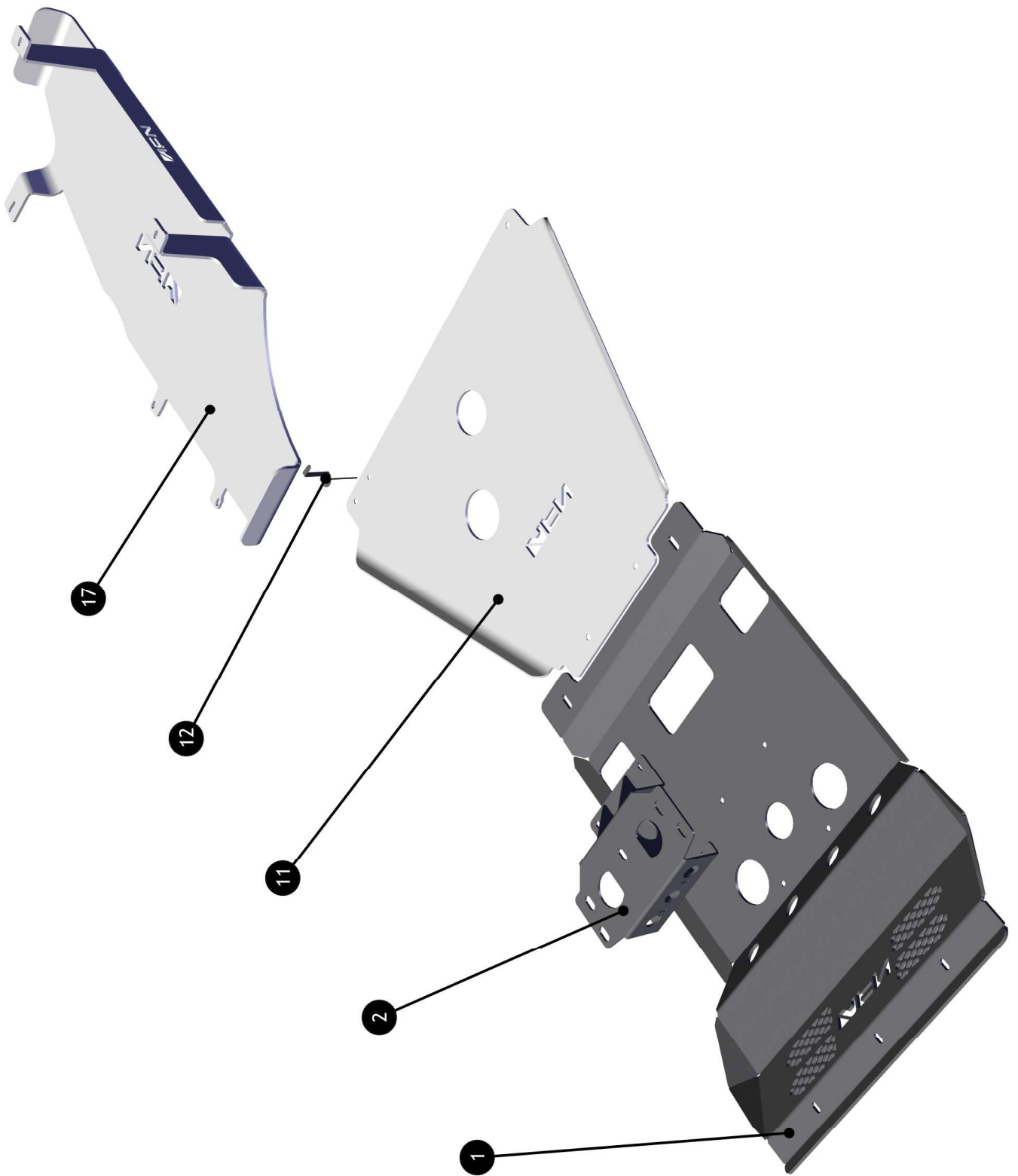
This checklists are for products **48001194_48001196_48001198**.

48001194	NUMBER	DESCRIPTION	REFERENCE	QTY
	1	Radiator Skid Plate Toyota LC200 2019	46002611	1x
	2	Radiator Skid Plate Bracket	47001514	1x
	3	Bolt M8x30	45000008	5x
	4	Bolt M8x25	45000009	4x
	5	Washer M10	45000010	4x
	6	Washer M8	45000011	6x
	7	Bolt M8x25	45000014	1x
	8	Nylock Nut M8	45000018	4x
	9	Washer M8	45000048	4x
	10	Bolt M10x25	45000247	4x

48001196	NUMBER	DESCRIPTION	REFERENCE	QTY
	11	Gearbox Skid Plate Toyota LC200 2019	46002621	1x
	12	Nut Plate M10	47002073	1x
	13	Washer M10	45000010	2x
	14	Nylock Nut M10	45000017	2x
	15	Bolt M10x25	45000110	3x
	16	Bolt M10x90	45000805	2x

48001198	NUMBER	DESCRIPTION	REFERENCE	QTY
	17	Fuel Tank Skid Plate Toyota LC200 2019	46002628	1x
	18	Bolt M8x25	45000014	5x
19	Washer M8	45000048	5x	





2 FITTING INSTRUCTIONS

WARNING:

Before you begin installation, read all instructions thoroughly.
Proper tools will improve the quality of installation and reduce the time required.

- This product should be installed as demonstrated in the *Product «Fitting Instructions»*;
- The specified parts, will only fit the models specified by **AFN**;
- Do not modify any component of the product;
- It is recommended that this product is installed by specialized and trained personnel;
- AFN doesn't take responsibility for changes made in the vehicle by its manufacturer;
- Work safely and use specialized tools at all times;
- **Always use protective gear.**

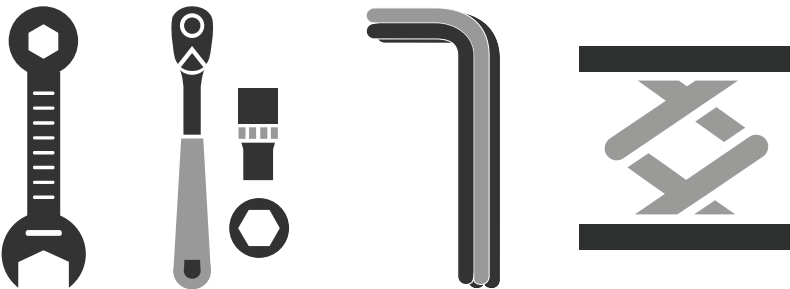


Size	Torque Nm	Torque lbft
M6	9 Nm	7 lbft
M8	22 Nm	16 lbft
M10	44 Nm	32 lbft
M12	77 Nm	57 lbft

Mouting Time

- 2 hours (**All underbody protections**)
- 1 person (recommended)

Tools Required



- Wrench
- Ratchet wrench
- Allen wrench
- Lift

Step 1 - Place the Vehicle in a Lift

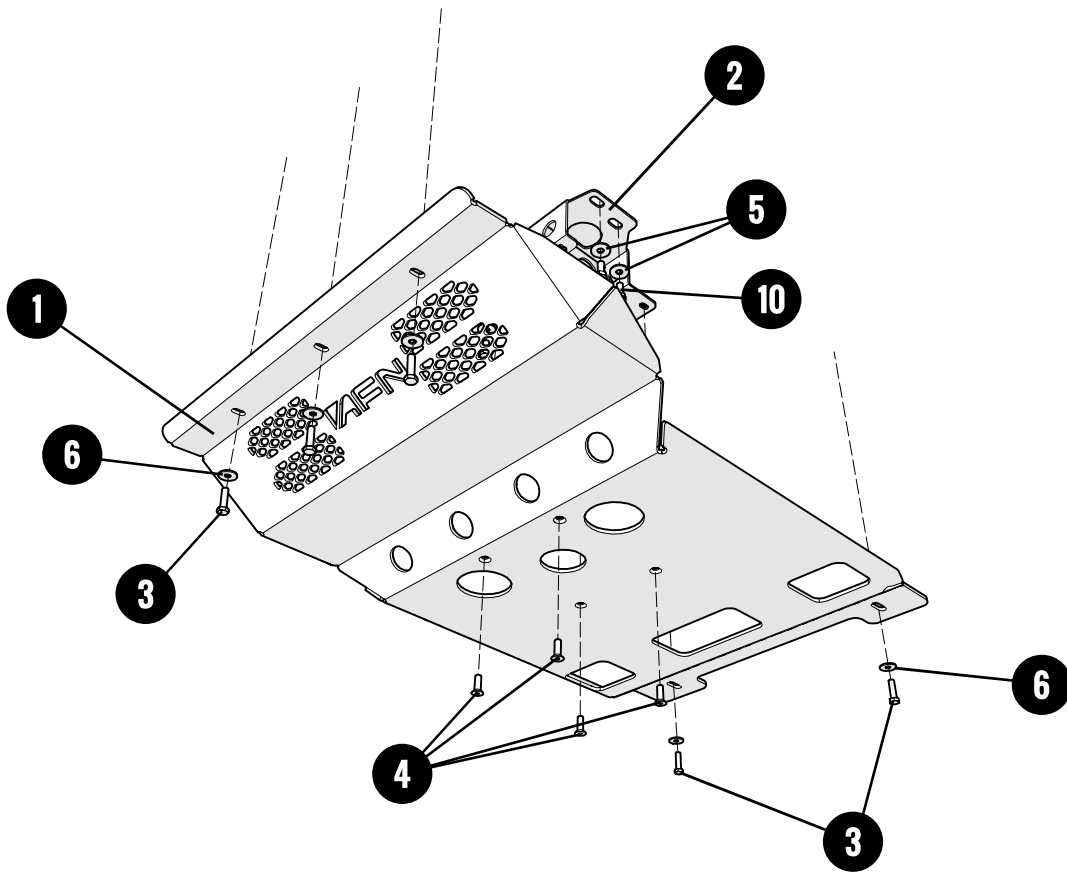
Start by placing the **Vehicle** in a **Lift**.

Lift the vehicle.
(we do recommend to use a lift)

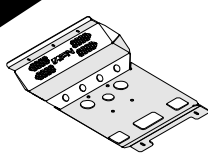
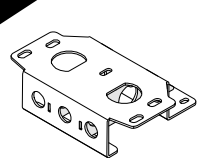
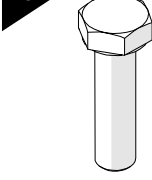

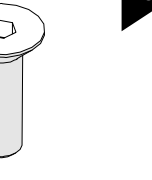
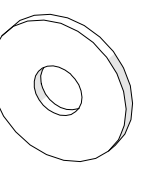
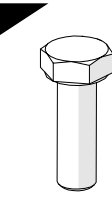
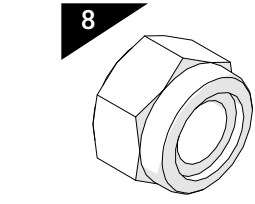
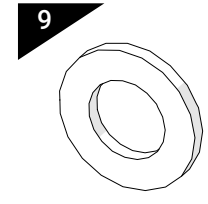
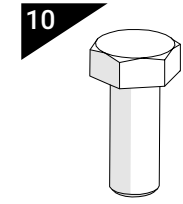


Step 2 - Fitting Radiator Skid Plate

Preview



Parts needed:

- | | | | | | |
|----------------------------------------------------------------------------------------------------------------------------------------------------------------|--------------------------------------------------------------------------------------------------------------------------------------------------|---------------------------------------------------------------------------------------------------------------------------------|-----------------------------------------------------------------------------------------------------------------------------------|----------------------------------------------------------------------------------------------------------------------------------|----------------------------------------------------------------------------------------------------------------------------------|
| <p>1</p>  <p>x1 Radiator Skid Plate
Toyota LC200 2019</p> | <p>2</p>  <p>x1 Radiator Skid Plate Bracket</p> | <p>3</p>  <p>x5 Bolt M8x30</p> | <p>4</p>  <p>x4 Bolt M8x25</p> | <p>5</p>  <p>x4 Washer M10</p> | <p>6</p>  <p>x6 Washer M8</p> |
| <p>7</p>  <p>x1 Bolt M8x25</p> | <p>8</p>  <p>x4 Nylock Nut M8</p> | <p>9</p>  <p>x4 Washer M8</p> | <p>10</p>  <p>x4 Bolt M10x25</p> | | |

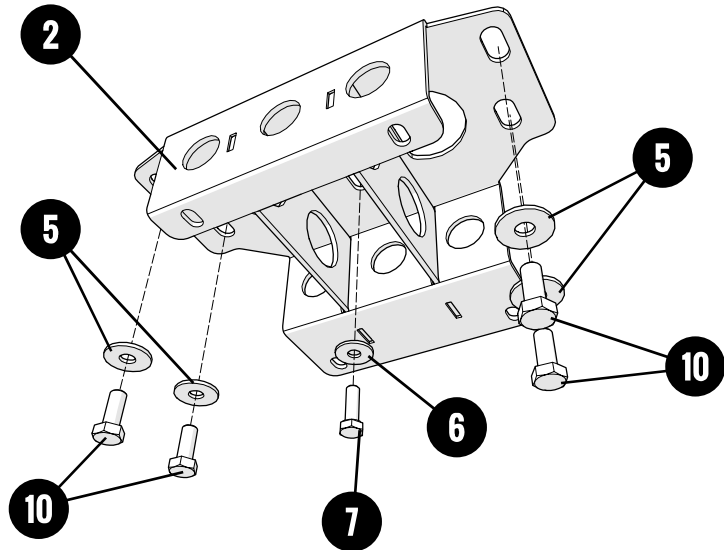
Step 2 - Fitting Radiator Skid Plate

Installation

Start by fitting the **Radiator Skid Plate Bracket(2)**. Bolts needed:

Use 4x Bolts M10x25(**10**) with 4x Washers M10(**5**). Then, in the middle use 1x Bolt M8x25(**7**) with 1x Washer M8(**6**).

Give the final torque.



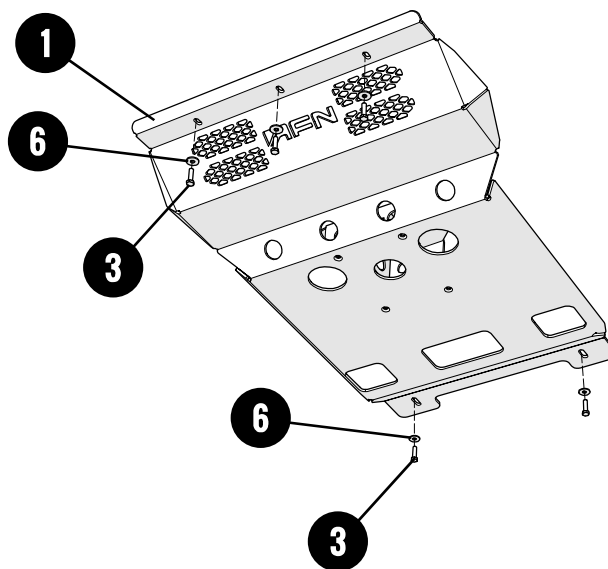
Then, take on **Radiator Skid Plate(1)** and fit it beneath the **Radiator Skid Plate Bracket(2)**.

Start by fitting the front using 3x Bolts M8x30(**X**) with 3x Washers M8(**X**).

On the back use 2x Bolts M8x30(**3**) with 2x Washers M8(**6**).

Just finger tight all bolts

Do Not tighten yet

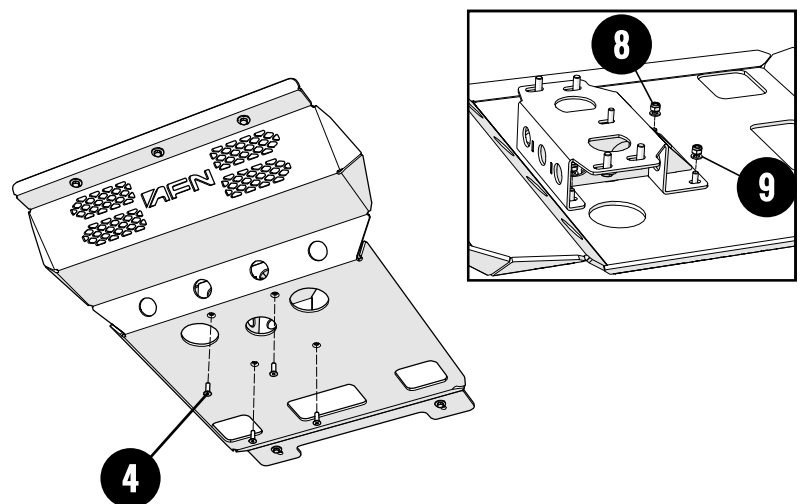


Finally, connect the **Radiator Skid Plate(1)** to the the **Radiator Skid Plate Bracket(2)**. Bolts needed:

Use 4x Bolts M8x25(**4**), with 4x Washers M8(**9**) and 4x Nylock Nuts (**8**).

Just finger tight all bolts

Do Not tighten yet.

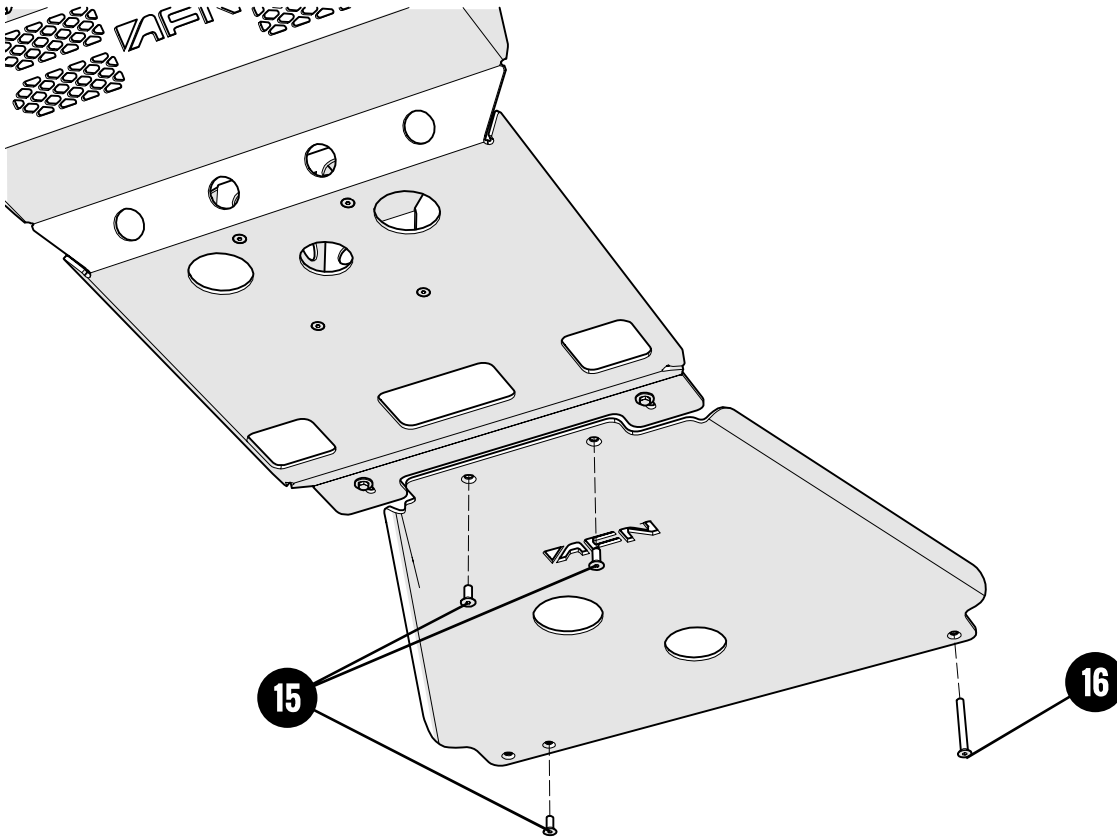


Once everything is correctly fitted,

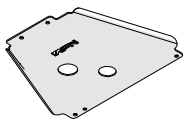
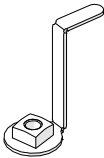
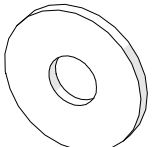
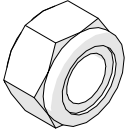
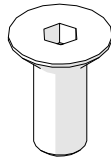
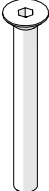
Give the final torque.

Step 3 - Fitting Gearbox Skid Plate

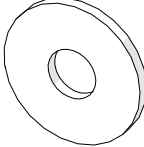
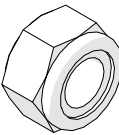
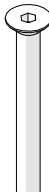
Preview



Parts needed:

- | | | | | | |
|--------------------------------------------------------------------------------------------------|--------------------------------------------------------------------------------------------------|--------------------------------------------------------------------------------------------------|--------------------------------------------------------------------------------------------------|----------------------------------------------------------------------------------------------------|----------------------------------------------------------------------------------------------------|
| 11
 | 12
 | 13
 | 14
 | 15
 | 16
 |
| x1 Gearbox Skid Plate
Toyota LC200 2019 | x1 Nut Plate M10 | x1 Washer M10 | x1 Nylock Nut M10 | x3 Bolt M10x25 | x1 Bolt M10x90 |

Parts left:

- | | | |
|--------------------------------------------------------------------------------------------------|--------------------------------------------------------------------------------------------------|--------------------------------------------------------------------------------------------------|
| 13
 | 14
 | 16
 |
| x1 Washer M10 | x1 Nylock Nut M10 | x1 Bolt M10x90 |

Step 3 - Fitting Gearbox Skid Plate**Installation****ATTENTION!**

Please note that not all the supplied bolts will be used on this version.

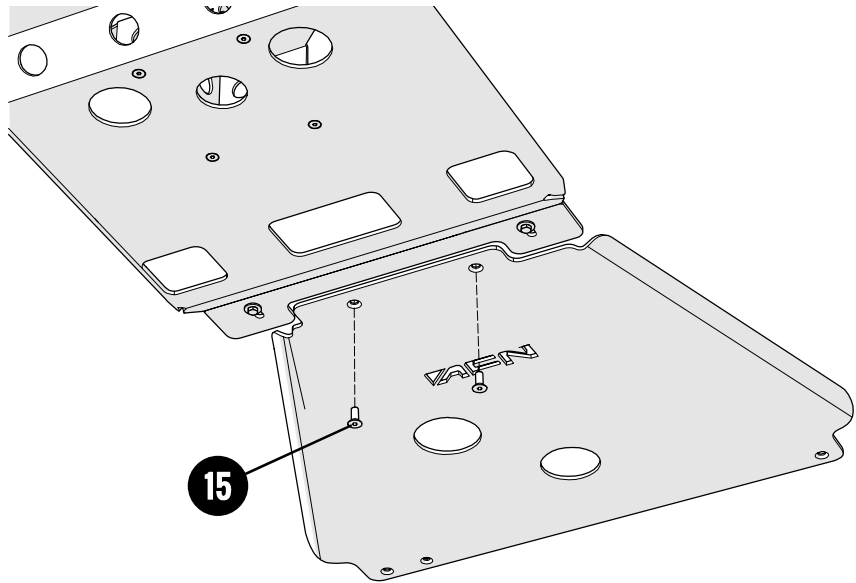
Take on **Gearbox Skid Plate(11)** and fit it in the vehicle chassis.

Bolts needed:

Use 2x Bolts M10x25(**15**).

Just finger tight all bolts

Do Not tighten yet.



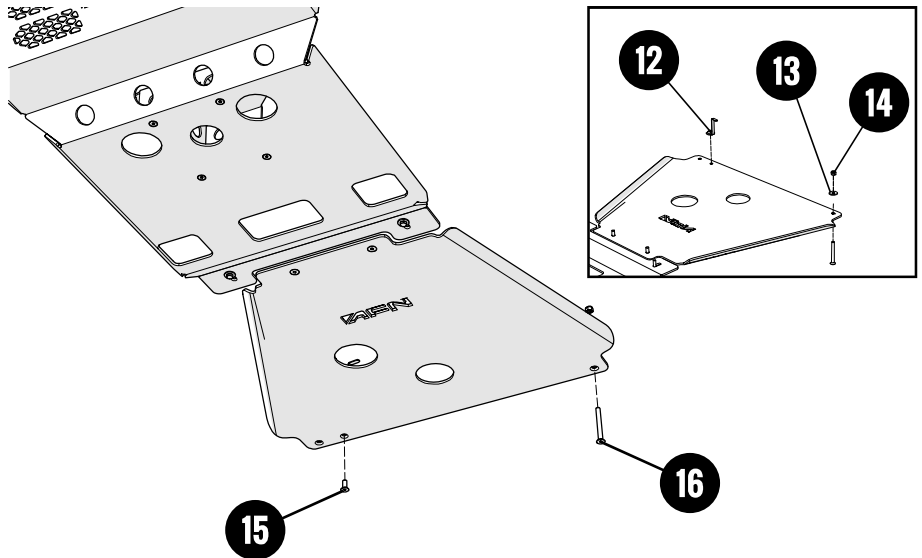
Once that is done, fit the rear part of **Gearbox Skid Plate(11)** also in the vehicle chassis. Bolts needed:

Use 1x Bolt M10x25(**15**) with 1x Nut Plate M10 (**12**).

Then, use 1x Bolt M10x90(**16**) with 1x Washer M10(**13**) and 1x Nylock Nut M10(**16**).

Just finger tight all bolts

Do Not tighten yet.

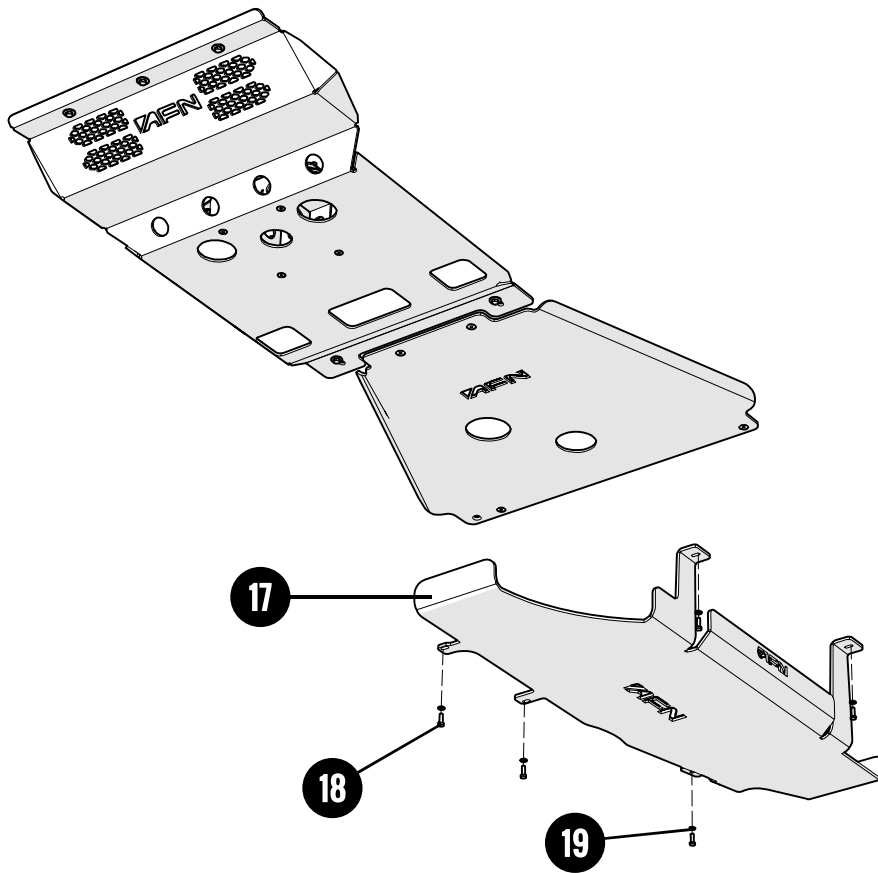


Once everything is correctly fitted,

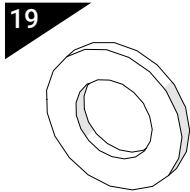
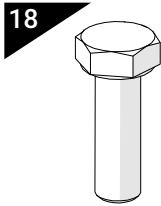
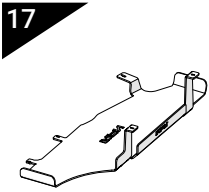
Give the final torque.

Step 4 - Fitting Fuel Tank Skid Plate

Preview



Parts needed:



x1 Fuel Tank Skid Plate
Toyota LC200 2019

x5 Bolt M8x25

x5 Washer M8

Step 4 - Fitting Fuel Tank Skid Plate**Installation****ATTENTION!**

Please note that if you have the AFN Side Steps - 48002149 to be fitted, fit them prior to the Fuel Tank Skid Plate(17).

Finally, fit the **Fuel Tank Skid Plate (17)** into the Chassis. Bolts needed:

Use 3x Bolts M8x25(18) and 3x Washers M8(19).

The highlighted spot will be fitted underneath the AFN Side Steps, if mounted.

Just finger tight all bolts

Do Not tighten yet.

Once the front of **Fuel Tank Skid Plate(17)** is secured, fit the back of it. Bolts needed:

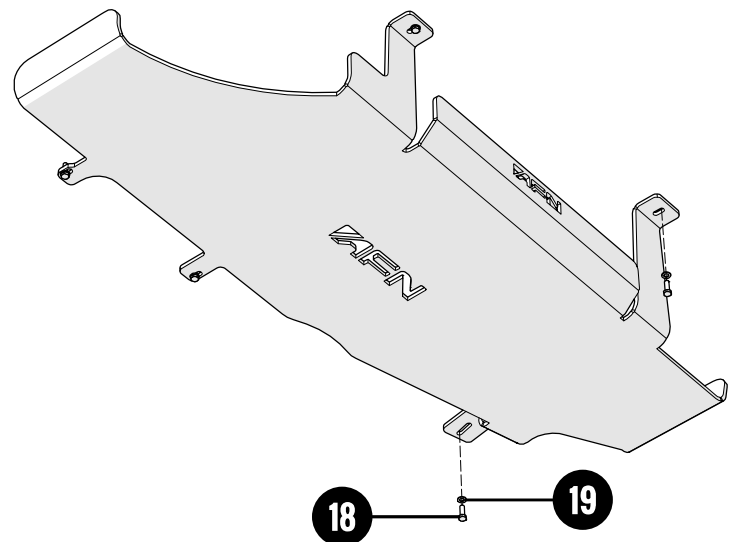
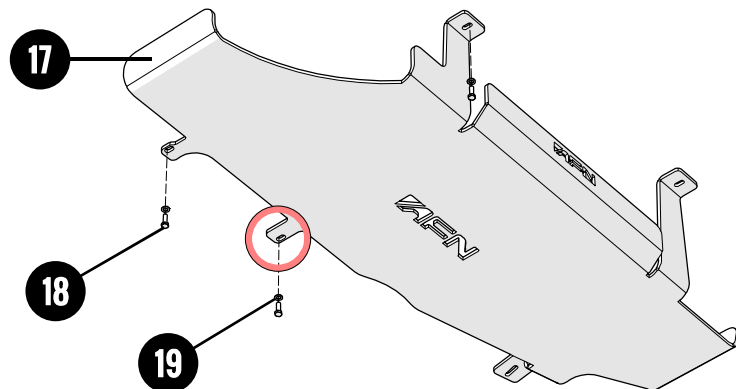
Use 2x Bolts M8x25(18), with 2x Washers M8(19).

Just finger tight all bolts

Do Not tighten yet.

Once everything is correctly fitted,

Give the final torque.



Step 5 - Final Result

Preview



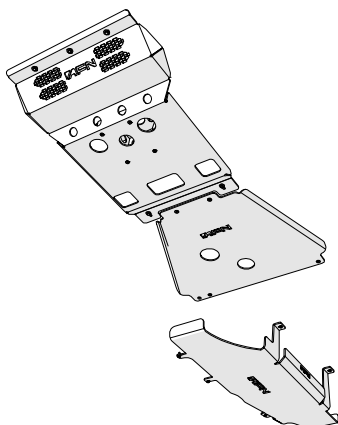
Your new **AFN UNDERBODY PROTECTIONS** are now installed on your **Toyota LAND CRUISER 200!**
Have Fun!

Reminder !

Before operating a vehicle fitted with an AFN Underbody Protection:
- Make sure all fittings are tightened

Maintenance | Care

Periodically check and tighten all nuts. Stripped, fractured or bent bolts or nuts need to be replaced.





3 LC 200 CATALOGUE

AFN 4x4 Accessories is becoming a well known brand for its products due to its quality, design and safety which are challenged for thousands of people everyday, worldwide.

In its diversity of products we can include, with all-terrain quality, protection, safety and aesthetic accessories. With that being said, **AFN 4x4** has some other accessories that every offroad passionate would like to have, such as **Body Protections, Underbody Protections, Light Holders, Storage** (Wheel Supports and Jerry-can carriers) and others related to the **Aesthetics**.

We have some 4x4 accessories that combine with the original model lines that if you take a closer look you will see that they don't appear to be an accessorie, but a must-have.

Please be in mind that some accessories are available only to some models.

Feel free to check all the products that may interest you in our website at: www.afn.pt



Ref.: 48002603 - Front Bumper



Ref.: 48002602 - Bullbar with fog lights



Ref.: 48002641 - Side Steps



Ref.: 48001194 - Front Skid Plate (*Al)



Ref.: 48001196 - Gearbox Skid Plate (*Al)



Ref.: 48001917 - Fuel Tank Skid Plate (*Al)

4 WARRANTY TERMS

AFN4x4 products are warranted free from defects in materials and workmanship for a period of two (2) years from the date of initial retail purchase. Third-party components are delivered under the original manufacturer warranty.

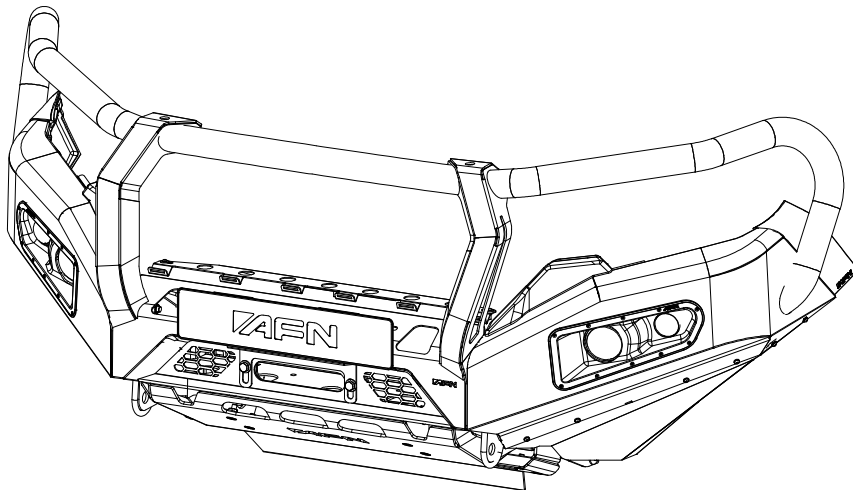
Under the present warranty, **AFN4x4** obligation shall be limited to repairing, replacing or crediting, at its option, any part found to be defective.

AFN4x4 does not warrant or make any representations concerning its goods when:

- The products are purchased used, scratch and dent or when the box was opened.
- The products are not installed, used, and maintained strictly in accordance with **AFN4x4**'s instructions.
- The products are installed in vehicles that are used in competition.
- The products are installed in vehicles fitted with aftermarket non-standard tires with diameters in excess of OEM* specifications.
- The products are installed in vehicles with engines that have been modified to increase performance.

AFN4x4 will not be responsible for goods damaged in transit. If any goods arrive damaged, please contact the **AFN4x4** as soon as possible. **AFN4x4** will assess and may arrange to have the damaged goods returned to a **AFN4x4** Distributor and arrange for a replacement of the goods. Damaged goods must be returned in the condition received by you with all original packaging, accessories and/or manuals. If they are not returned in same condition sent there may be an additional fee charged.

To file a claim under this warranty please contact **AFN4x4** at +351 256 808 300 or via email at geral@afn.pt to request a *Returned Goods Authorization (RGA)* number and instructions for returning the defective component.





5 AFN 4x4 PARTNERS



01

Portugal

Rua da Madeira, 113
Z. Industrial das Travessas
3700-176 S. João da Madeira

T:(00351) 256 838 300/7
geral@afn.com
www.afn.com

02

Espanha

Carretera de Moledo 8
pol. ind. de Miraflores, Nave 20
36214, Vigo (Pontevedra)

T:(0034) 986 378338
info@4x4misutonida.com
www.4x4misutonida.com

03

Austrália

19 Flinders Parade
North lakes
QLD 4509

T:(0061) 1300 236 494
sales@afn4x4.com.au
www.afn4x4.com.au

04

Costa Rica

Fort overlanding CR,
Alajuela

T:(0011) 506 8430 0211
info@fortoverlanding.com
www.fortoverlanding.com

DON'T JUST SETTLE FOR THE SAME OLD BULL



WWW.AFN.PT | SALES@AFN.PT | FACEBOOK.COM/AFN4X4

WELCOME TO THE AFN FAMILY



União Europeia
Fundo Europeu de
Desenvolvimento Regional

